

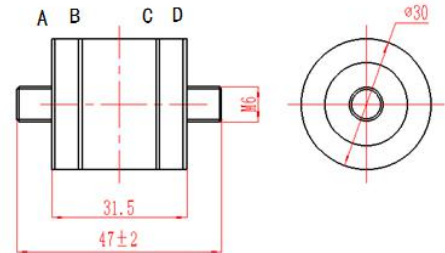
Gas Discharge Tubes

H4R30-800L

1: Applications

- AC Power line L-N applications
- Class I and Class II Surge protection

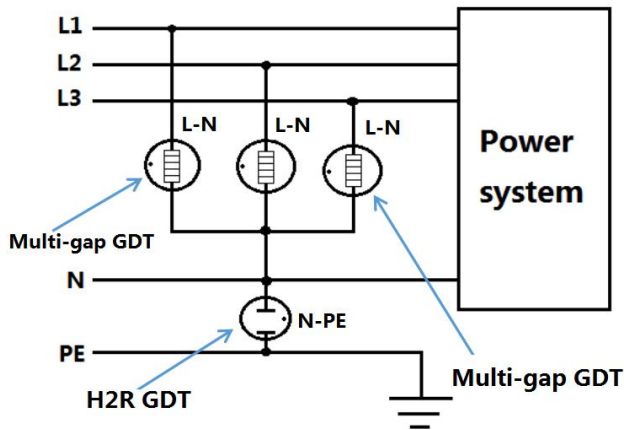
2: Dimension in mm



Specification of H4R30-800L

Nominal Dc spark-over voltage @ 100V/s	A-B >300V
	B-C >800V
	C-D >300V
	A-D >1000V
Maximum impulse spark-over voltage @ 1KV/μs	A-B <1000V
	B-C <2800V
	C-D <1000V
	A-D <3000V
Response time	50ns
Insulation resistance @250V	1GΩ
Class I according to IEC 61643-11	
Max continuous operating voltage at 50/60 Hz	Uc 380V
Nominal discharge current 8/20μs	In 50KA
Impulse current 10/350μs	Iimp 30KA
Follow Current at 50/60Hz at 380V	If 1000A
Class II according to IEC 61643-11	
Max continuous operating voltage at 50/60 Hz	Uc 380V
Nominal discharge current 8/20μs	In 50KA
Maximum discharge current 8/20μs	Imax 100KA
Follow Current at 50/60Hz at 380V	If 1000A
Weight	~ 86g
Delivery time	25days
Voltage protection level	<2KV
Quantity of electric charge	17.5As
Quantity of electrodes	4PCS
Marking, Green	R 800 YY 800 - Nominal voltage YY - Year of production

3:Application Figure



What can we do for our GDT?

- 1: We Can customize voltage: 500V,800V...etc
- 2: We Can developed low impulse GDT
- 3: We Can customize $U_c, I_n, I_{max}, I_{imp}, I_f, TOV$.
- 4: We Can developed cut off follow current 100A within 1 cycle when passing zero under AC260V(50Hz)
- 5: We Can customize multi-gap GDT used in DC or AC(L-N) over voltage protection
- 6: We Can customize GDT shape, marking, special Lead wire
- 7: We Can surpass our GDT competitors, help you pass the GDT test project & improve the GDT you currently use.
- 8: We can provide fast GDT delivery, Solve your GDT delivery time problem
- 9: We can help you analyze the competitor's parameters and tell you our perfect replacement GDT part number.



GDT
H4R30-800L



SPD

