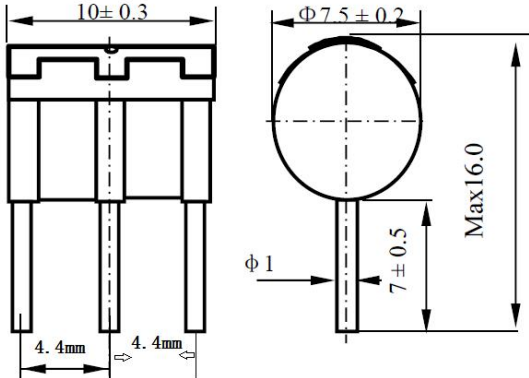


## 3-Electrode Gas Discharge Tubes

20KA

### 1: Dimension(mm)

Radial Lead Wire, With Fail Safe



### 2: Main Applications

- PCI Cards protection
- Telephone/Fax/Modem protection
- single line protection
- ADSL/XDSL Splitter, Power Supply
- Surge Protection Device/Surge Protector

### 3: Features

- 100% Lead-Free (RoHS Compliant)
- Non-Radioactive
- Low capacitance: ≤1pF
- Small size : Φ7.5x10(mm)
- Safety certification: File number: E505240

### 4 Electrical Characteristics

Part Number	DC Spark-over Voltage @100V/S	Impulse Spark-over Voltage @100V/μs	Impulse Spark-over Voltage @1KV/μs	Insulation Resistance GΩ	Impulse discharge current 8/20μs 10 Times	Impulse Life 300 hits 10x1000μs	AC discharge current 50Hz, 1s 10times	Delivery time days	UL Certificate UL497B
HA3R7-75HF1	75V ±20%	≤500V	≤ 600V	>1GΩ	20KA	300A	20A	15days	E505240
HA3R7-90HF1	90V ±20%	≤500V	≤ 600V	>1GΩ	20KA	300A	20A	15days	E505240
HA3R7-140HF1	140V±20%	≤500V	≤ 600V	>1GΩ	20KA	300A	20A	15days	E505240
HA3R7-150HF1	150V±20%	≤500V	≤ 600V	>1GΩ	20KA	300A	20A	15days	E505240
HA3R7-200HF1	200V±20%	≤600V	≤ 700V	>1GΩ	20KA	300A	20A	15days	E505240
HA3R7-230HF1	230V±20%	≤600V	≤ 700V	>1GΩ	20KA	300A	20A	15days	E505240
HA3R7-250HF1	250V±20%	≤600V	≤ 700V	>1GΩ	20KA	300A	20A	15days	E505240
HA3R7-300HF1	300V±20%	≤800V	≤ 900V	>1GΩ	20KA	300A	20A	15days	E505240
HA3R7-350HF1	350V±20%	≤900V	≤ 1000V	>1GΩ	20KA	300A	20A	15days	E505240
HA3R7-400HF1	400V±20%	≤900V	≤ 1000V	>1GΩ	20KA	300A	20A	15days	E505240
HA3R7-420HF1	420V±20%	≤900V	≤ 1000V	>1GΩ	20KA	300A	20A	15days	E505240
HA3R7-470HF1	470V±20%	≤1100V	≤ 1200V	>1GΩ	20KA	300A	20A	15days	E505240
HA3R7-500HF1	500V±20%	≤1100V	≤ 1200V	>1GΩ	20KA	300A	20A	15days	E505240
HA3R7-550HF1	550V±20%	≤1300V	≤ 1400V	>1GΩ	20KA	300A	20A	15days	E505240
HA3R7-600HF1	600V±20%	≤1300V	≤1400V	>1GΩ	20KA	300A	20A	15days	E505240
HA3R7-800HF1	800V±20%	≤1500V	≤1600V	>1GΩ	20KA	300A	20A	15days	E505240

## 3-Electrode Gas Discharge Tubes

20KA

1:At delivery AQL 0.65 leave II Military Standard 105 E

2:In ionized mode

3:Test according to ITU-T Rec.k.12

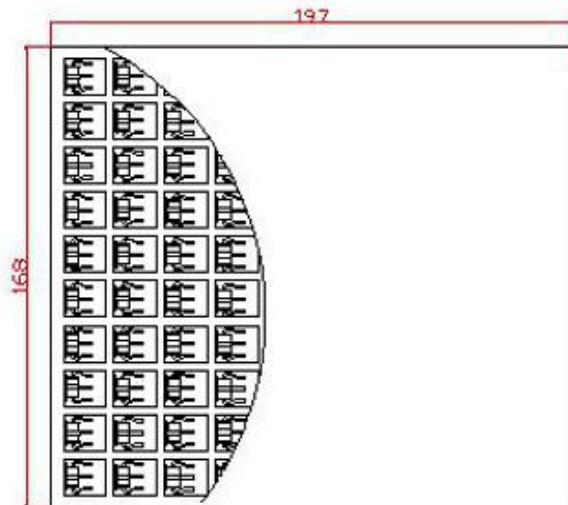
### Environmental resistance

<b>Storage temperature:</b>	-40°C---+90°C
<b>Operating temperature:</b>	-40°C---+90°C
<b>Electrode:</b>	Tin Plated

### Example Part Number: HA3R7-90HF1

<b>HA</b>	<b>=</b>	<b>HUAAN</b>
<b>3</b>	<b>=</b>	<b>3 Electrode device</b>
<b>R</b>	<b>=</b>	<b>Gas Discharge Tube</b>
<b>7</b>	<b>=</b>	<b>7.5mm Diameter</b>
<b>90</b>	<b>=</b>	<b>90V</b>
<b>H</b>	<b>=</b>	<b>High Surge 20KA,Radial Lead Wire</b>
<b>F1</b>		<b>With Fail Short mechanism on top</b>

### Packaging Information



### Packaging Quantity

Part Number	Quantity	
	Per Tray	Per Carton
<b>HA3R7-xxxHF1 Series</b>	<b>100PCS</b>	<b>5000PCS</b>