

7-Line Uni-directional Ultra low Capacitance TVS Diode Array



APPLICATION

- ◆ USB 3.0
- ◆ HDMI 1.4
- ◆ High-Speed Data Lines

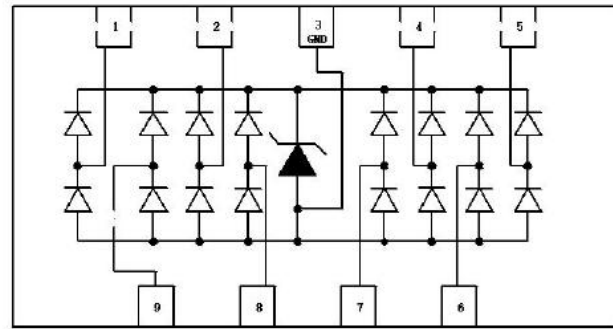
IEC COMPATIBILITY

Package: DFN3810-10

- ◆ IEC61000-4-2 (ESD) ±25kV (air), ±20kV (contact)
- ◆ IEC61000-4-5 (Lightning) 5A (8/20µs)

FEATURES

- ◆ Ultra low capacitance: 0.29pF typical
- ◆ Ultra low leakage: nA level
- ◆ Low operating voltage: 5V
- ◆ Low clamping voltage
- ◆ Protects eight data lines



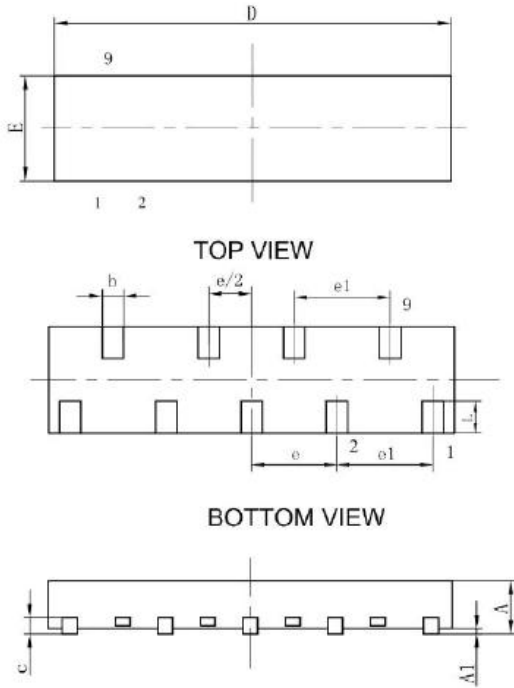
Electrical Characteristics

Parameter	Symbol	Value	Unit
Peak Pulse Power(tp=8/20uS waveform)	P _{PPP}	75	W
Peak Pulse Current(tp=8/20uS waveform)	I _{PP}	5	A
ESD per IEC 61000-4-2 (Air)	V _{ESD}	±25	kV
ESD per IEC 61000-4-2 (Contact)		±20	
Operating Temperature Range	T _J	-55 to +125	°C
Storage Temperature Range	T _{stg}	-55 to +150	°C

Part Number	VRWM	VBR	IR (max)	Co Max value	Vc @1A Max	Vc @ A Max	Ipp@8/20us	Ppp 8/20us	Delivery Time
	V	V	(uA)	pF	V	V	A max	W	Days
HAH0517PB	5	6	0.5	0.8	10	15	5	75	7days

7-Line Uni-directional Ultra low Capacitance TVS Diode Array

Package Mechanical Data



SYM	DIMENSIONS		
	MILLIMETERS		
	MIN	NOM	MAX
A	0.45	0.50	0.55
A1	-	0.02	0.05
b	0.15	0.20	0.25
c	0.10	0.15	0.20
D	3.70	3.80	3.90
e	0.80BSC		
e1	0.90BSC		
E	0.90	1.00	1.10
L	0.20	0.30	0.40

Ordering Information

Part Number	Qty per Reel	Reel Size	Package	Delivery Time
HAH0517PB	3000pcs	7inch	DFN3810-9	7days

Specifications are subject to change without notice

Tel: +86-755-27465585