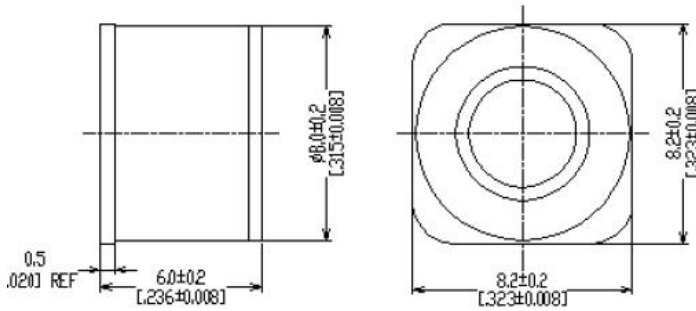


2-Electrode Gas Discharge Tubes

10KA



1: Dimension(mm)



2: Main Applications

- PCI Cards protection
- Telephone/Fax/Modem protection
- single line protection
- ADSL/XDSL Splitter, Power Supply
- Surge Protection Device/Surge Protector

- 100% Lead-Free (RoHS Compliant)
- Non-Radioactive
- Low capacitance ($\leq 1\text{pF}$)
- Fast Response-time, High Insulation Resistance.
- Small size : Ø8x6(mm)

4 Electrical Characteristics

Part Number	DC Spark-over Voltage @ 100V/S	Impulse Spark-over Voltage @ 100V/ μs	Impulse Spark-over Voltage @ 1KV/ μs	Insulation Resistance	Impulse discharge current (8/20 μs)	AC discharge current (50Hz, 1s, 10times)	Capacitance (1MHz)
	V	V	V	G Ω	10 Times	A	PF
H2R8-75MSMD	75±20%	<500	<600	>1	10KA	10	≤ 1
H2R8-90MSMD	90±20%	<500	<600	>1	10KA	10	≤ 1
H2R8-150MSMD	150±20%	<500	<600	>1	10KA	10	≤ 1
H2R8-230MSMD	230±20%	<600	<700	>1	10KA	10	≤ 1
H2R8-250MSMD	250±20%	<600	<700	>1	10KA	10	≤ 1
H2R8-350MSMD	350±20%	<900	≤ 1000	>1	10KA	10	≤ 1
H2R8-420MSMD	420±20%	<900	≤ 1000	>1	10KA	10	≤ 1
H2R8-470MSMD	470±20%	<1100	≤ 1200	>1	10KA	10	≤ 1
H2R8-600MSMD	600±20%	<1200	≤ 1300	>1	10KA	10	≤ 1

Specifications are subject to change without notice

sales@huaandz.com