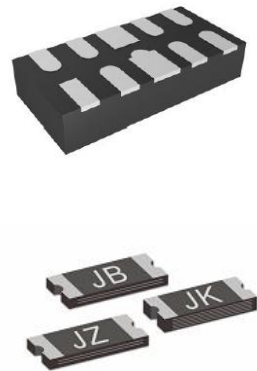
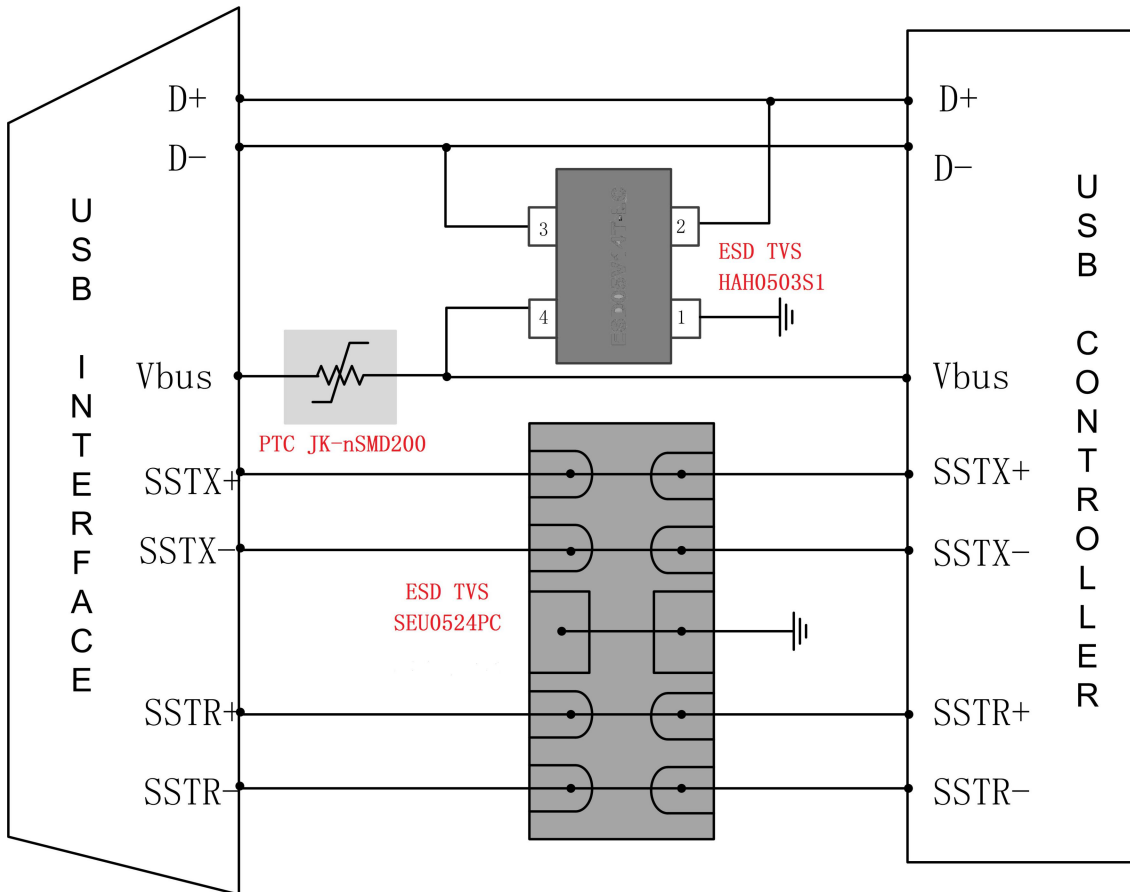


## ▼USB3.0 Solution:

Surge level: Contact 8KV Air 15KV



## Specification.....

Part Number	VRWM	VBR	Co Typical value	Vc @1A	Ppp 8/20us	Package	ESD Air / Contact
<b>ESD TVS</b>	<b>V</b>	<b>V</b>	<b>pF</b>	<b>V<sub>max</sub></b>	<b>W</b>		
<b>SEU0524PC</b>	<b>5</b>	<b>6</b>	<b>1</b>	<b>9.0</b>	<b>100</b>	<b>DFN2510-10</b>	<b>±8kV / ±15kV</b>

Part Number	VRWM	VBR	Co Typical value	Vc @1A	Ppp 8/20us	Package	ESD Air / Contact
<b>ESD TVS</b>	<b>V</b>	<b>V</b>	<b>pF</b>	<b>V<sub>max</sub></b>	<b>W</b>		
<b>HAH0503S1</b>	<b>5</b>	<b>6</b>	<b>0.8</b>	<b>10</b>	<b>75</b>	<b>SOT-143</b>	<b>±8kV / ±15kV</b>

Part Number	Vmax	I max	Ih	Rmax	Size	Pd
<b>PTC</b>	V	A	A	$\Omega$		w
<b>JK-nSMD200</b>	6	100	2	0.08	1206	0.8

We focus on development, production,distribution of GDT,TSS.MOV,TVS,ESD,PTC component.We have laboratories of EMC,aiming to provide total turnkey service of surge/ESD test and circuit PCB improvement.

[sales@huaandz.com](mailto:sales@huaandz.com)