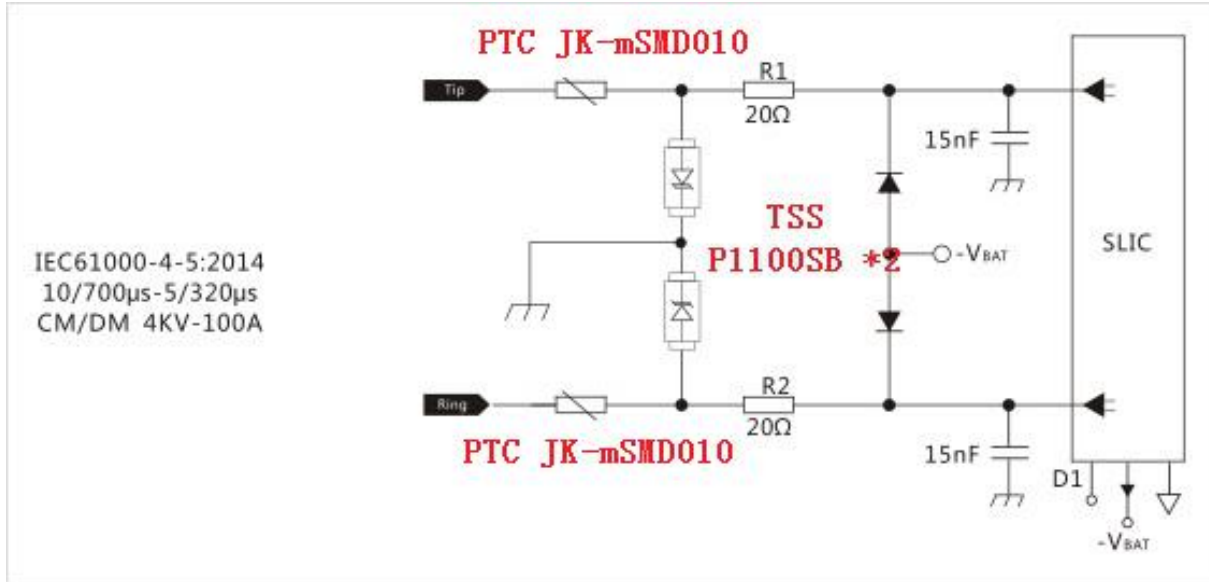


▼RJ11 SLIC Solution:

Surge level: 10/700µs CM/DM 4KV



Specification.....

Part Number	V _{DRM} @I _{DRM} =5 µA	V _s @100 V/µs	I _H	I _s	I _T	V _T @I _T =2.2Amps	Capacitance @1MHz,2V bias	impulse withstand voltage	Package
TSS * 2	V _{min}	V _{max}	mA _{min}	mA _{max}	A _{max}	V _{max}	pF	10/700us	
P1100SB	90	130	150	800	2.2	4	50	4KV	SMB

Part Number	V _{max}	I _{max}	I _h	R _{max}	Size	Pd
PTC	V	A	A	Ω		w
JK-mSMD010	30	100	0.10	15	1812	0.8

We focus on development, production, distribution of GDT, TSS, MOV, TVS, ESD, PTC component. We have laboratories of EMC, aiming to provide total turnkey service of surge/ESD test and circuit PCB improvement.

sales@huaandz.com