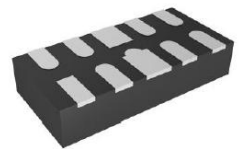
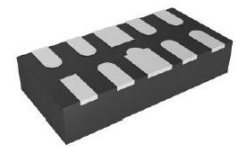
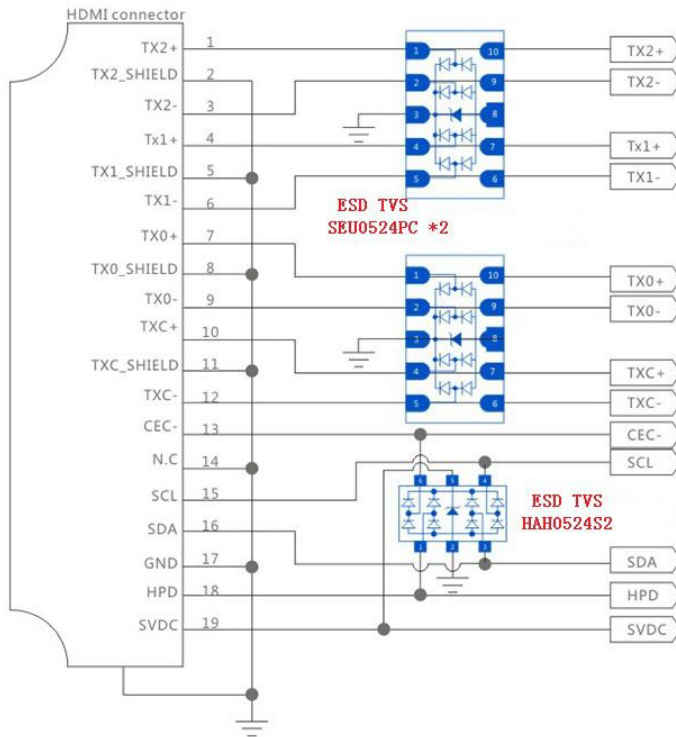


### ▼HDMI2.0 Solution:

Surge level: Contact 8KV Air 15KV



### Specification.....

| Part Number      | VRWM     | VBR      | Co<br>Typical value | Vc @1A                 | Ppp<br>8/20us | Package           | ESD<br>Air / Contact |
|------------------|----------|----------|---------------------|------------------------|---------------|-------------------|----------------------|
| <b>ESD TVS</b>   | <b>V</b> | <b>V</b> | <b>pF</b>           | <b>V<sub>max</sub></b> | <b>W</b>      |                   |                      |
| <b>SEU0524PC</b> | <b>5</b> | <b>6</b> | <b>1</b>            | <b>9.0</b>             | <b>100</b>    | <b>DFN2510-10</b> | <b>±8kV / ±15kV</b>  |

| Part Number      | VRWM     | VBR      | Co<br>Typical value | Vc @1A                 | Ppp<br>8/20us | Package         | ESD<br>Air / Contact |
|------------------|----------|----------|---------------------|------------------------|---------------|-----------------|----------------------|
| <b>ESD TVS</b>   | <b>V</b> | <b>V</b> | <b>pF</b>           | <b>V<sub>max</sub></b> | <b>W</b>      |                 |                      |
| <b>HAH0524S2</b> | <b>5</b> | <b>6</b> | <b>1</b>            | <b>9.0</b>             | <b>80</b>     | <b>SOT23-6L</b> | <b>±10kV / ±15kV</b> |

We focus on development, production,distribution of GDT,TSS.MOV,TVS,ESD,PTC component.We have laboratories of EMC,aiming to provide total turnkey service of surge/ESD test and circuit PCB improvement.

[sales@huaandz.com](mailto:sales@huaandz.com)