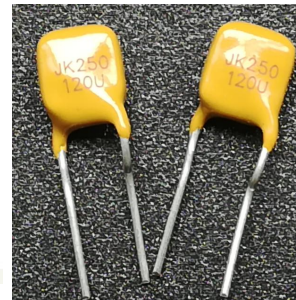
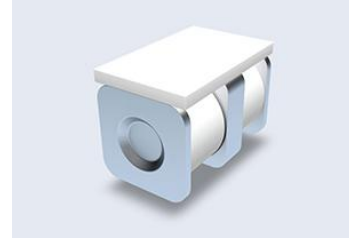
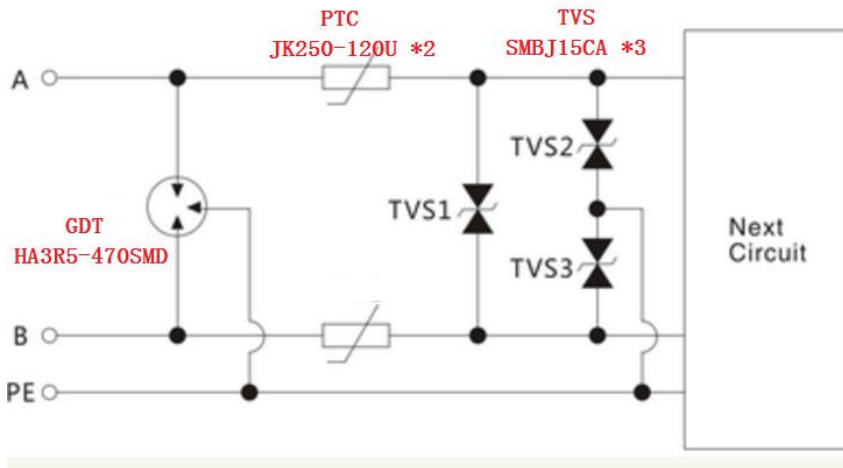


### ▼RS232 Solution:

Surge level: 8/20μS- CM/DM 5KA



### Specification.....

Part Number	DC Voltage @ 100V/S	Spark-over	Insulation Resistance	Impulse discharge current(8/20μs)	AC discharge current (50Hz,1s,10times)	Capacitance (1MHz)	UL file number
<b>GDT</b>	V		GΩ	10 Times	A	PF	√
<b>HA3R5-470SMDF</b>	470±20%		>1	5KA	5	≤1	<b>E505240</b>

Part Number	Vbr	Ir	Vrwm	Ipp	Vc	Package
<b>TVS</b>	V	uA	V	A	V	
<b>SMBJ15CA</b>	<b>16.7-18.5</b>	<b>1</b>	<b>15</b>	<b>24.6</b>	<b>24.4</b>	SMB

Part Number	Vmax	I max	Ih	Rmax	Rmin	Pd
<b>PTC</b>	V	A	A	Ω	Ω	w
<b>JK250-120U</b>	250	10	0.12	11	6	0.8

We focus on development, production,distribution of GDT,TSS.MOV,TVS,ESD TVS,PTC component.We have laboratories of EMC,aiming to provide total turnkey service of surge/ESD test and circuit PCB improvement.

[sales@huaandz.com](mailto:sales@huaandz.com)