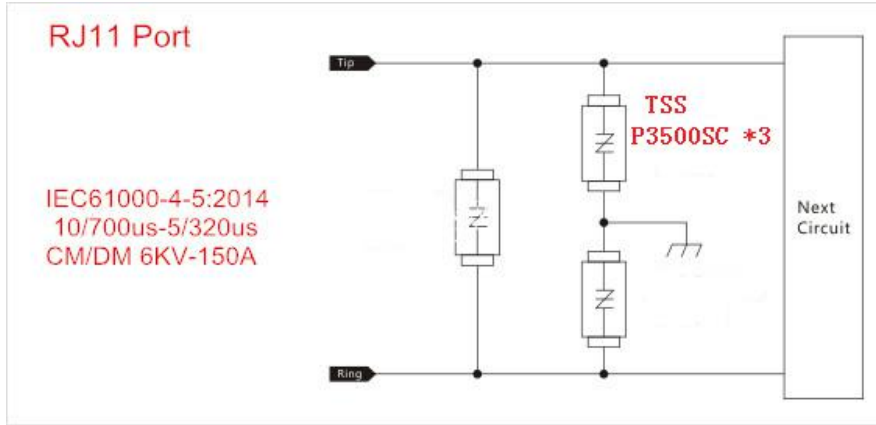


### ▼RJ11 Solution:



### Specification.....

Part Number	$V_{DRM}$ @ $I_{DRM}=5 \mu A$	$V_S$ @ $100V/\mu s$	$V_T$ @ $I_T=2.2Amps$	Capacitance @ $1MHz, 2V$ bias	impulse withstand voltage	Package
<b>TSS</b>	$V_{min}$	$V_{max}$	$V_{max}$	pF	10/700us	
<b>P3500SC</b>	<b>320</b>	<b>400</b>	<b>4</b>	60	6KV	SMB

We focus on development, production, distribution of GDT, TSS, MOV, TVS, ESD, PTC component. We have laboratories of EMC, aiming to provide total turnkey service of surge/ESD test and circuit PCB improvement.

[sales@huaandz.com](mailto:sales@huaandz.com)