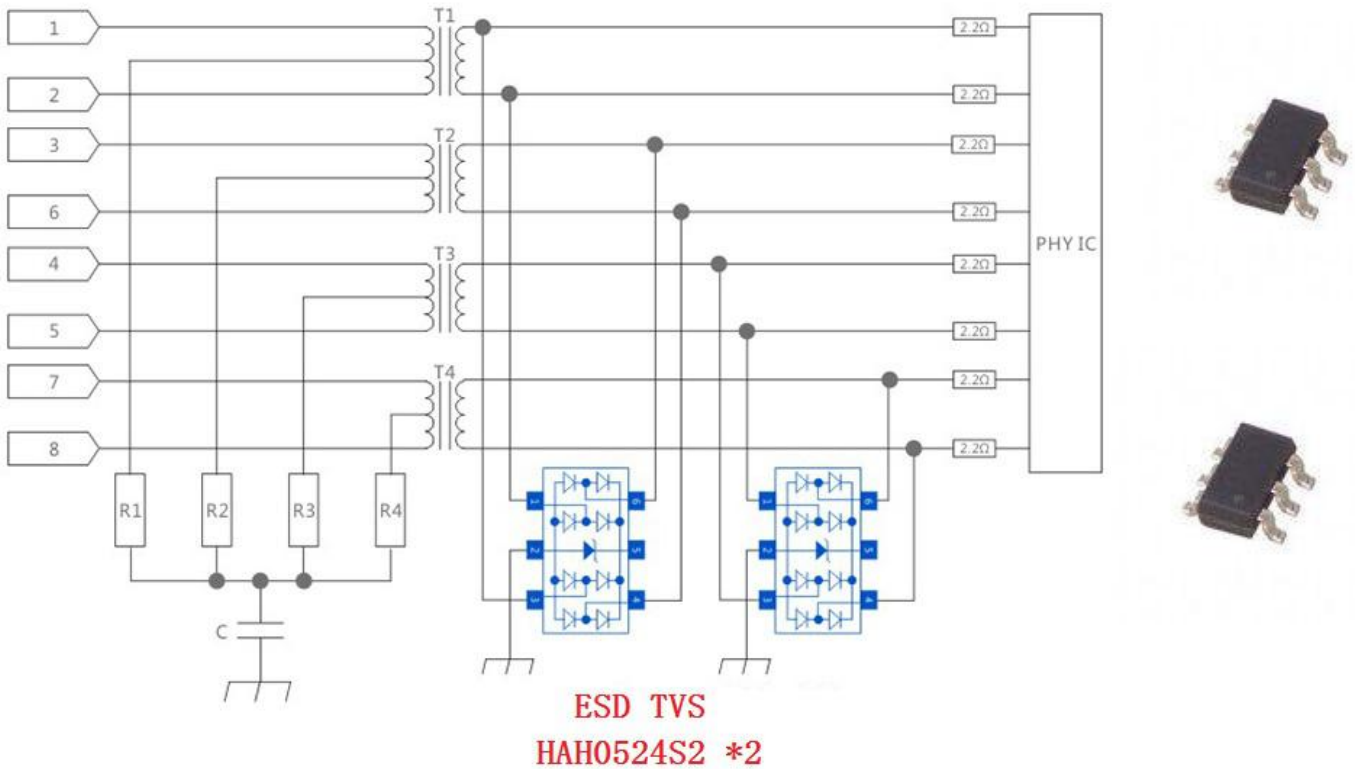


▼RJ45 Solution:

Surge level: **Contact 8KV** **Air 15KV**



Specification.....

| Part Number | VRWM | VBR | Co Typical value | Vc @1A | Ppp 8/20us | Package | ESD Air / Contact |
|------------------|----------|----------|---------------------|------------------------|---------------|-----------------|----------------------|
| ESD TVS | V | V | pF | V_{max} | W | | |
| HAH0524S2 | 5 | 6 | 1 | 9.0 | 80 | SOT23-6L | ±10kV / ±15kV |

We focus on development, production,distribution of GDT,TSS.MOV,TVS,ESD,PTC component.We have laboratories of EMC,aiming to provide total turnkey service of surge/ESD test and circuit PCB improvement.

sales@huaandz.com