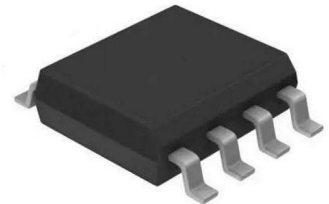
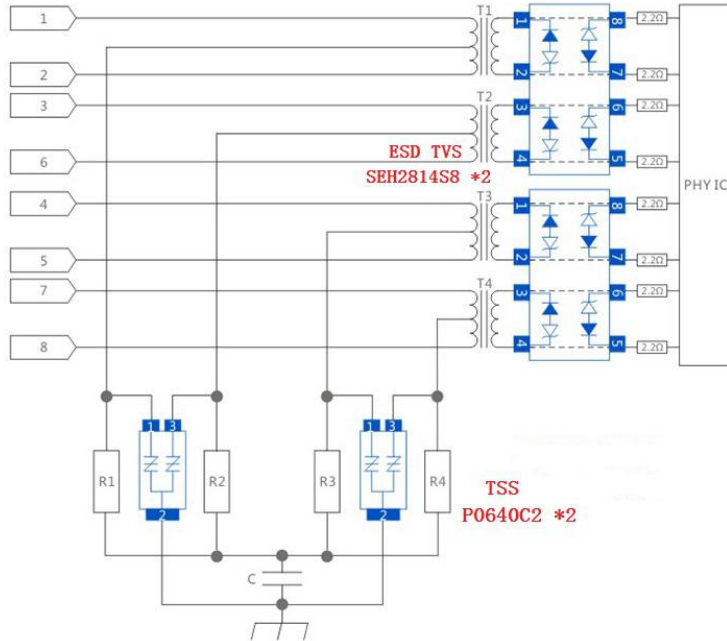


▼RJ45 Solution:

Surge level: 10/700μs CM/DM 6KV



Specification.....

Part Number	V _{DRM} @I _{DRM} =5 A	V _S @100V/ μs	I _H	I _S	I _T	V _T @I _T =2.2Am ps	Capacitance @1MHz,2V bias	impulse withstand voltage	Package
TSS	V _{min}	V _{max}	mA _{min}	mA _{max}	A _{max}	V _{max}	pF	10/700us	
P0640C2	58	77	150	800	2.2	4	120	6KV	SMB

Part Number	VRWM	VBR	C ₀ Typical value	V _c @1A	P _{pp} 8/20us	Package	ESD Air / Contact
ESD TVS	V	V	pF	V _{max}	W		
SEH2814S8	2.8	3	1	5	400	SO-8	±30kV / ±30kV

We focus on development, production, distribution of GDT, TSS, MOV, TVS, ESD, PTC component. We have laboratories of EMC, aiming to provide total turnkey service of surge/ESD test and circuit PCB improvement.

sales@huaandz.com