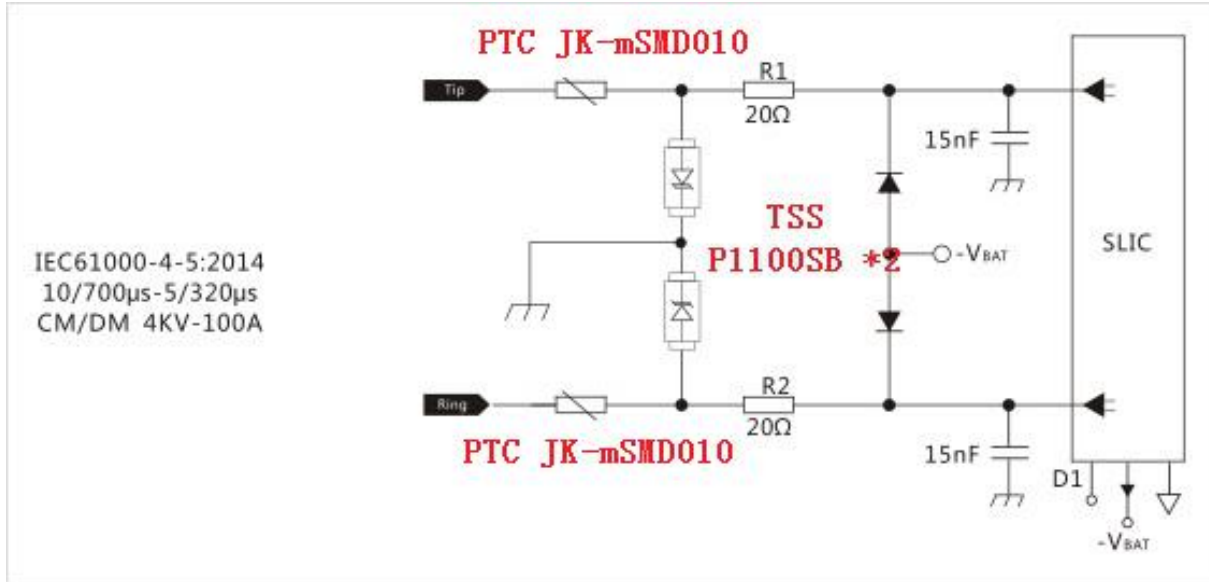


▼RJ11 SLIC Solution:

Surge level: 10/700µs CM/DM 4KV



Specification.....

| Part Number | V _{DRM} @I _{DRM} =5 µA | V _s @100 V/µs | I _H | I _s | I _T | V _T @I _T =2.2Amps | Capacitance @1MHz,2V bias pF | impulse withstand voltage | Package |
|----------------|--|--------------------------------|-------------------|-------------------|------------------|--|---------------------------------------|---------------------------------|---------|
| TSS * 2 | V _{min} | V _{max} | mA _{min} | mA _{max} | A _{max} | V _{max} | | 10/700us | |
| P1100SB | 90 | 130 | 150 | 800 | 2.2 | 4 | 50 | 4KV | SMB |

| Part Number | V _{max} | I _{max} | I _h | R _{max} | Size | Pd |
|-------------------|------------------|------------------|----------------|------------------|------|-----|
| PTC | V | A | A | Ω | | w |
| JK-mSMD010 | 30 | 100 | 0.10 | 15 | 1812 | 0.8 |

We focus on development, production, distribution of GDT, TSS, MOV, TVS, ESD, PTC component. We have laboratories of EMC, aiming to provide total turnkey service of surge/ESD test and circuit PCB improvement.

sales@huaandz.com