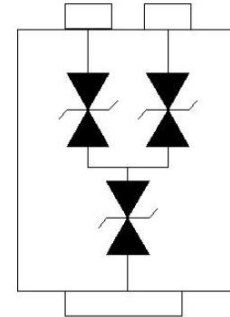
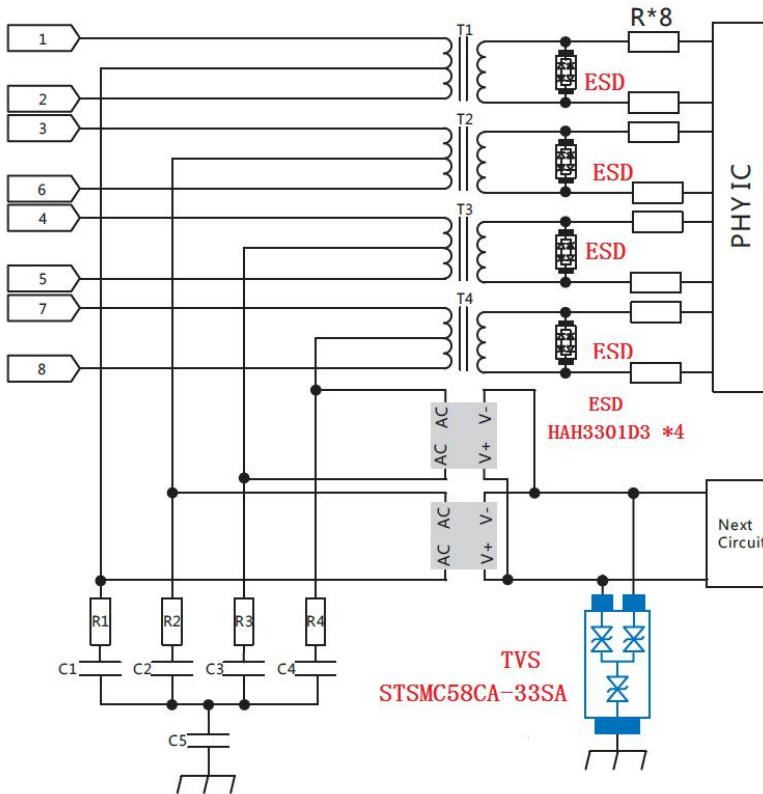


▼RJ45 POE Solution:

Surge level: 10/700μs-5/320us CM/DM 4KV-100A



Specification.....

| Part Number | Vbr | Ir | Vrwm | Ipp 8/20US | Vc | Package |
|-----------------------|------------------|-----------|-----------|------------|-------------|--------------|
| TVS | V | uA | V | A | V | |
| STSMC58CA-33SA | 64.4-71.2 | 1 | 58 | 500 | 93.6 | SMC-3 |

We focus on development, production,distribution of GDT,TSS.MOV,TVS,ESD,PTC component.We have laboratories of EMC,aiming to

| Part Number | VRWM | VBR | Co Typical value | Vc @1A | Ppp 8/20us | Package | ESD Air / Contact |
|------------------|------------|----------|---------------------|------------------------|---------------|----------------|----------------------|
| ESD TVS | V | V | pF | V_{max} | W | | |
| HAH3301D3 | 3.3 | 4 | 1 | 7.0 | 350 | SOD-323 | ±8kV / ±15kV |

provide total turnkey service of surge/ESD test and circuit PCB improvement.

sales@huaandz.com