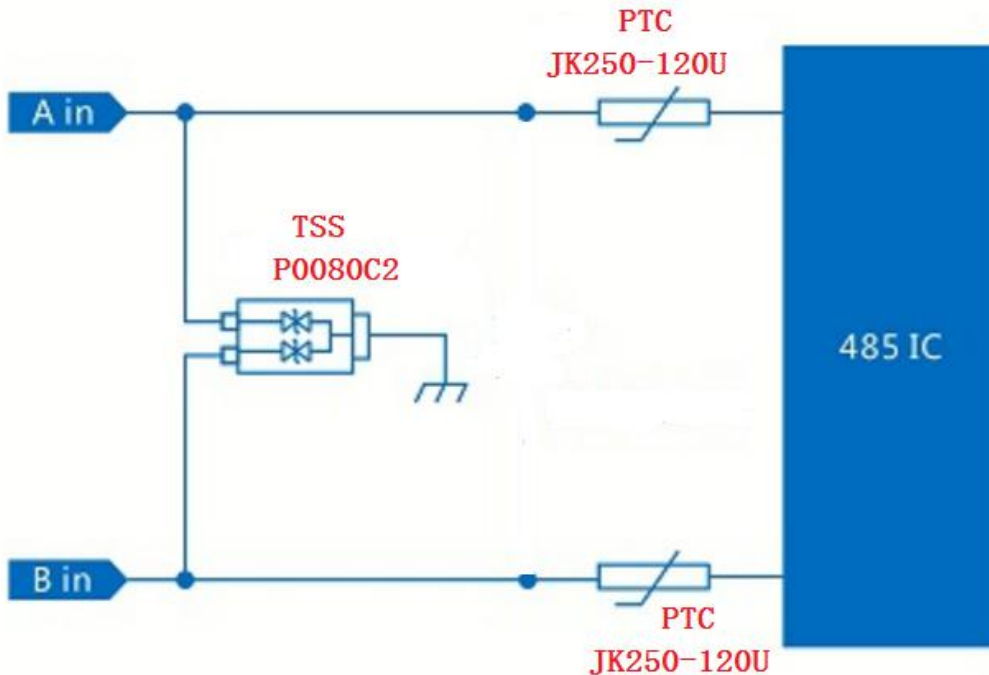


### ▼RS485 Solution:

Surge level: 10/700 $\mu$ s-5/320 $\mu$ s CM 6KV-150A



### Specification.....

Part Number	V <sub>DRM</sub> @I <sub>DRM</sub> =5 $\mu$ A	V <sub>S</sub> @100V/ $\mu$ s	I <sub>H</sub>	I <sub>S</sub>	I <sub>T</sub>	V <sub>T</sub> @I <sub>T</sub> =2.2Am ps	Capacitance @1MHz,2V bias	impulse withstand voltage	Package
<b>TSS</b>	V <sub>min</sub>	V <sub>max</sub>	mA <sub>min</sub>	mA <sub>max</sub>	A <sub>max</sub>	V <sub>max</sub>	pF	10/700us	
<b>P0080C2</b>	6	25	50	800	2.2	4	120	6KV	SMB

Part Number	V <sub>max</sub>	I <sub>max</sub>	I <sub>h</sub>	R <sub>max</sub>	R <sub>min</sub>	P <sub>d</sub>
<b>PTC</b>	V	A	A	$\Omega$	$\Omega$	w
<b>JK250-120U</b>	250	10	0.12	11	6	0.8

We focus on development, production,distribution of GDT,TSS.MOV,TVS,ESD TVS,PTC component.We have laboratories of EMC,aiming to provide total turnkey service of surge/ESD test and circuit PCB improvement.

[sales@huaandz.com](mailto:sales@huaandz.com)