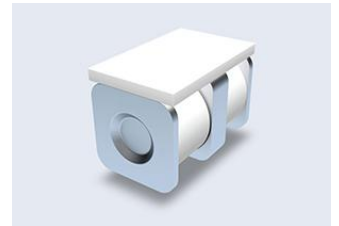
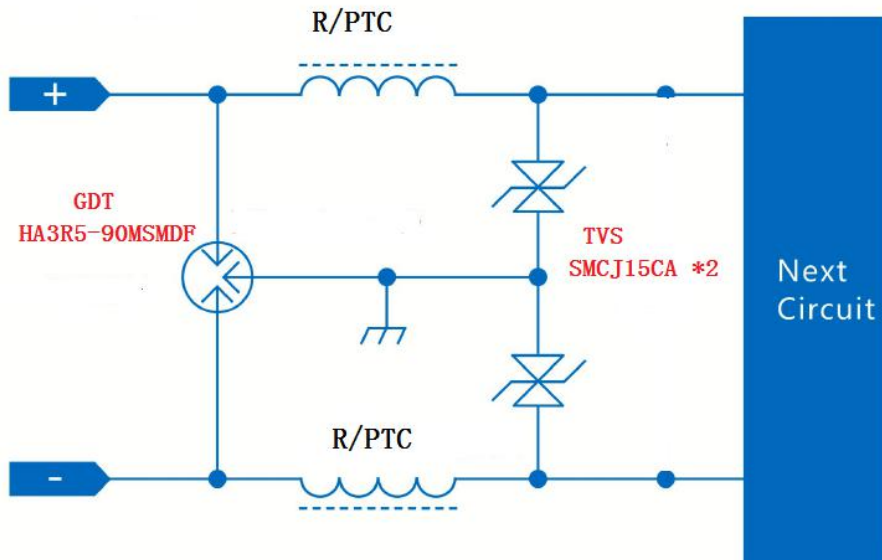


### ▼RS485 Solution:

Surge level: 8/20μS- CM/DM 5KA



### Specification.....

Part Number	DC Spark-over Voltage @ 100V/S	Impulse Spark-over Voltage @1KV/μs	Insulation Resistance	Impulse discharge current(8/20μs)	AC discharge current (50Hz,1s,10times)	Capacitance (1MHz)	UL file number
<b>GDT</b>	V	V	GΩ	10 Times	A	PF	✓
<b>HA3R5-90MSMDF</b>	90±20%	≤ 600	>1	10KA	10	≤1	<b>E505240</b>

Part Number	Vbr	Ir	Vrwm	Ipp	Vc	Package
<b>TVS</b>	V	uA	V	A	V	
<b>SMCJ15CA</b>	<b>16.7-18.5</b>	<b>1</b>	<b>15</b>	<b>61.5</b>	<b>24.4</b>	SMC

We focus on development, production,distribution of GDT,TSS.MOV,TVS,ESD TVS,PTC component.We have laboratories of EMC,aiming to provide total turnkey service of surge/ESD test and circuit PCB improvement.

[sales@huaandz.com](mailto:sales@huaandz.com)