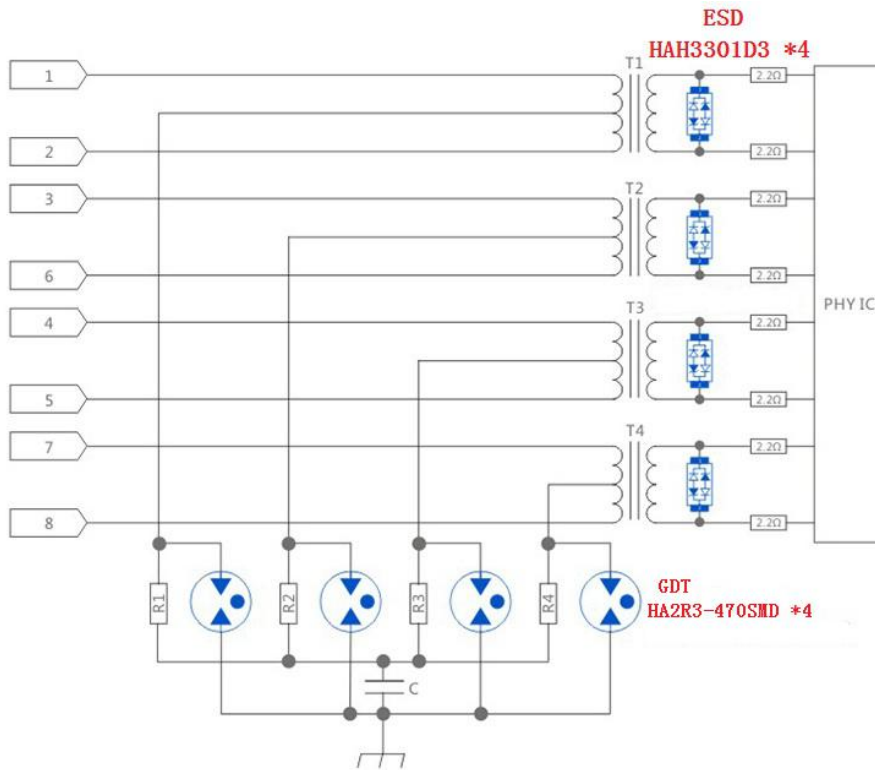


▼RJ45 Solution:

Surge level: 10/700μs CM/DM 6KV



Specification.....

Part Number	VRWM	VBR	Co Typical value	Vc @1A	Ppp 8/20us	Package	ESD Air / Contact
ESD TVS	V	V	pF	V max	W		
HAH3301D3	3.3	4	1	7.0	350	SOD-323	±8kV / ±15kV

We focus on development, production,distribution of GDT,TSS.MOV,TVS,ESD,PTC component.We have laboratories of EMC,aiming to

Part Number	DC Spark-over Voltage@ 100V/S	Impulse Spark- over Voltage @1KV/μs	Insulation Resistance	Impulse dischar ge current(8/20 μs)	AC discharge current(50Hz, 1s,10times)	Capacit ance (1MHz)	UL file number
GDT	V	V	GΩ	10 Times	A	PF	√
HA2R3-470SMD	470±20%	≤ 900	>1	2KA	2	≤1	E505240

provide total turnkey service of surge/ESD test and circuit PCB improvement.

sales@huaandz.com