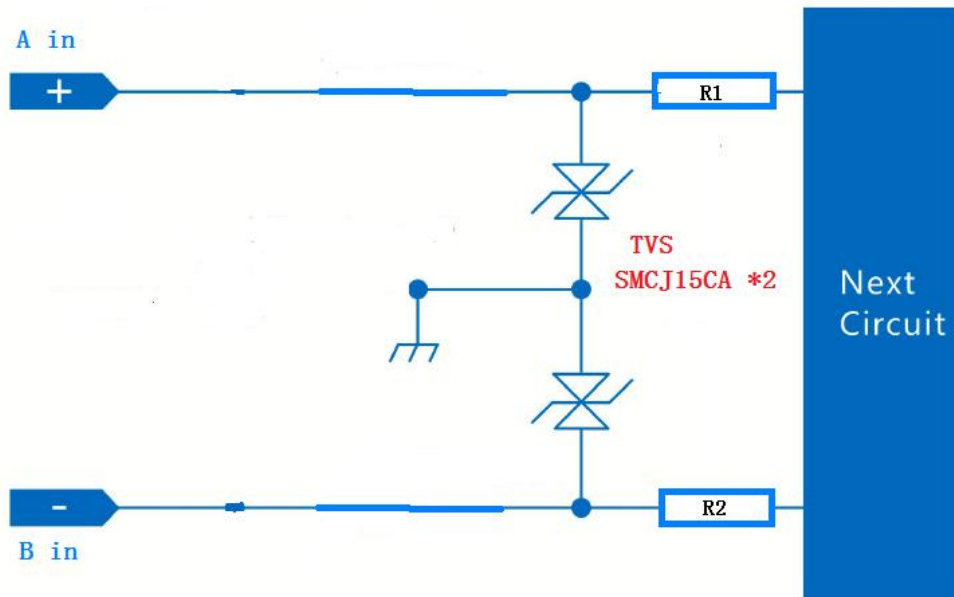


▼ALARM Solution:

Surge level: 10/700 μ S- CM/DM 4KV-100A



Specification.....

Part Number	Vbr	Ir	Vrwm	Ipp	Vc	Package
TVS	V	μ A	V	A	V	
SMCJ15CA	16.7-18.5	1	15	61.5	24.4	SMC

We focus on development, production,distribution of GDT,TSS.MOV,TVS,ESD TVS,PTC component.We have laboratories of EMC,aiming to provide total turnkey service of surge/ESD test and circuit PCB improvement.

sales@huaandz.com