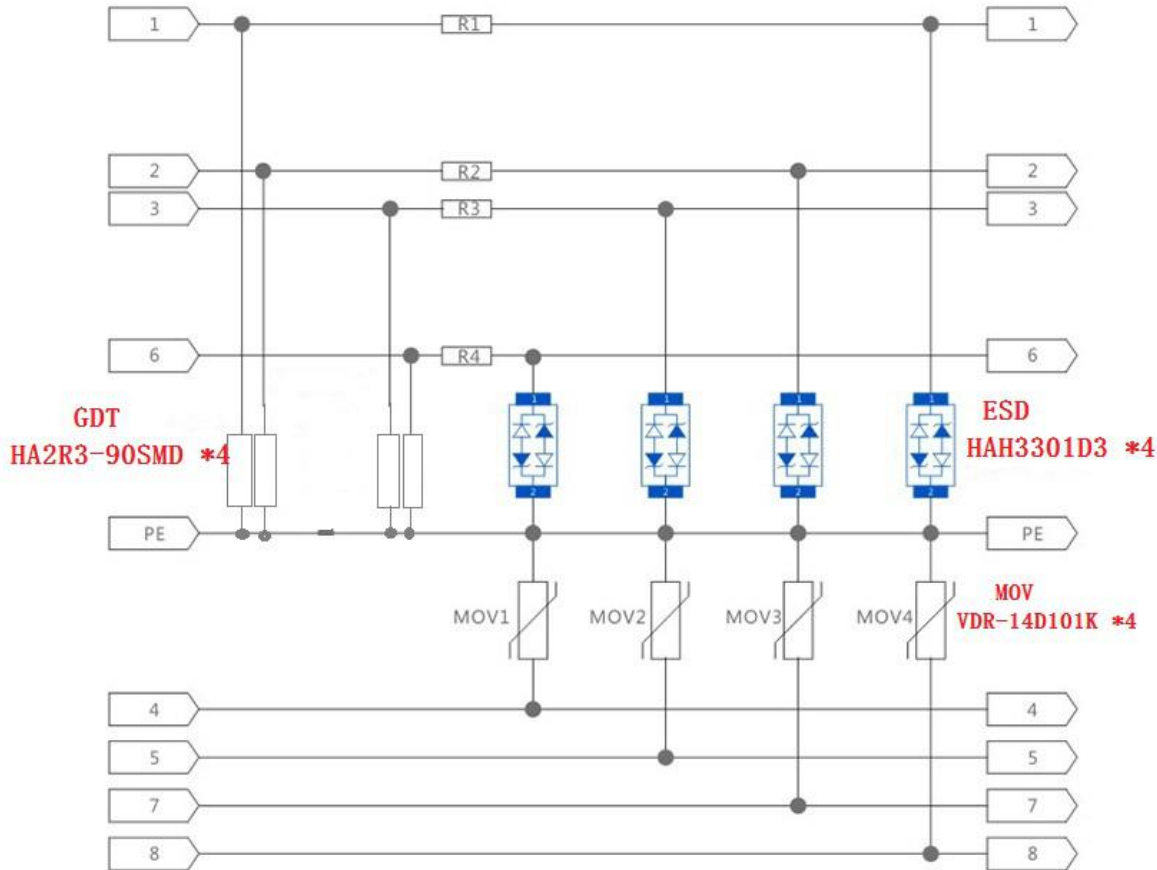


### ▼RJ45 POE Solution:

Surge level: 8/20μs CM/DM 2KA



### Specification.....

Part Number	DC Spark-over Voltage @ 100V/S	Impulse Spark-over Voltage @1KV/μs	Insulation Resistance	Impulse discharge current(8/20μs)	AC discharge current (50Hz,1s,10times)	Capacitance (1MHz)	UL file number
<b>GDT</b>	V	V	GΩ	10 Times	A	PF	✓
<b>HA2R3-90SMD</b>	90±20%	≤ 1000	>1	2KA	2	≤1	<b>E505240</b>

Part Number	VRWM	VBR	Co Typical value	Vc @1A	Ppp 8/20us	Package	ESD Air / Contact
<b>ESD TVS</b>	V	V	pF	V <sub>max</sub>	W		
<b>HAH3301D3</b>	<b>3.3</b>	<b>4</b>	<b>1</b>	<b>7.0</b>	<b>350</b>	<b>SOD-323</b>	<b>±8kV / ±15kV</b>

Part Number	Varistor Voltage @1mA	Withstanding surge current 8/20us	Maximum Clamping Voltage
<b>MOV</b>	V	A	V <sub>AT 50A</sub>
<b>VDR-14D101K</b>	100(90-110)	4500	165

We focus on development, production,distribution of GDT,TSS.MOV,TVS,ESD,PTC component.We have laboratories of EMC,aiming to provide total turnkey service of surge/ESD test and circuit PCB improvement.

[sales@huaandz.com](mailto:sales@huaandz.com)