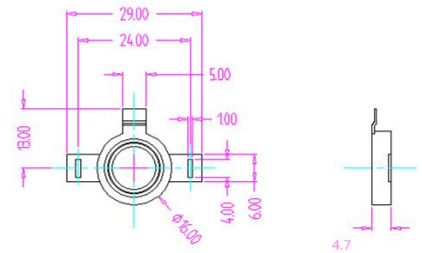
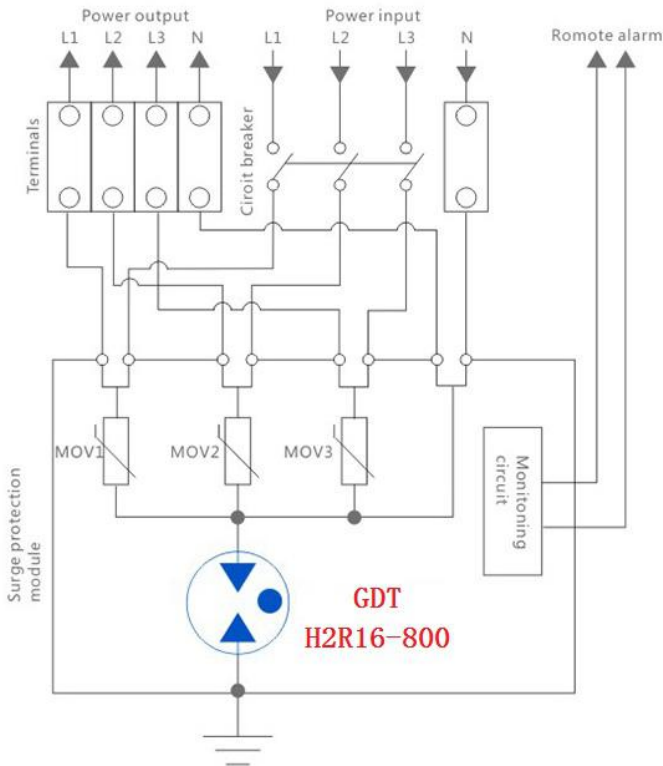


▼ AC220V Power Solution:

Surge level: 8/20 μ s CM/DM 20KA



Specification.....

Part Number	DC Spark-over Voltage@ 100V/S	Insulation Resistance	Impulse discharge current(8/20 μ s)	AC discharge current (50Hz,1s,10times)	Capacitance (1MHz)	Size	UL Safety Certification
GDT	V	GΩ	10 Times	A	PF	mm	
H2R16-800	800V \pm 20%	>1	20KA	20	\leq 5	Φ 16*4.7	√

We have laboratories of EMC,aiming to provide total turnkey service of surge/ESD test and circuit PCB improvement.

sales@huaandz.com