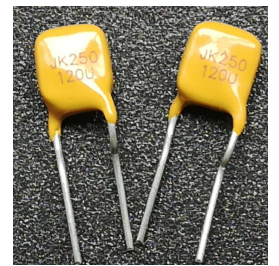
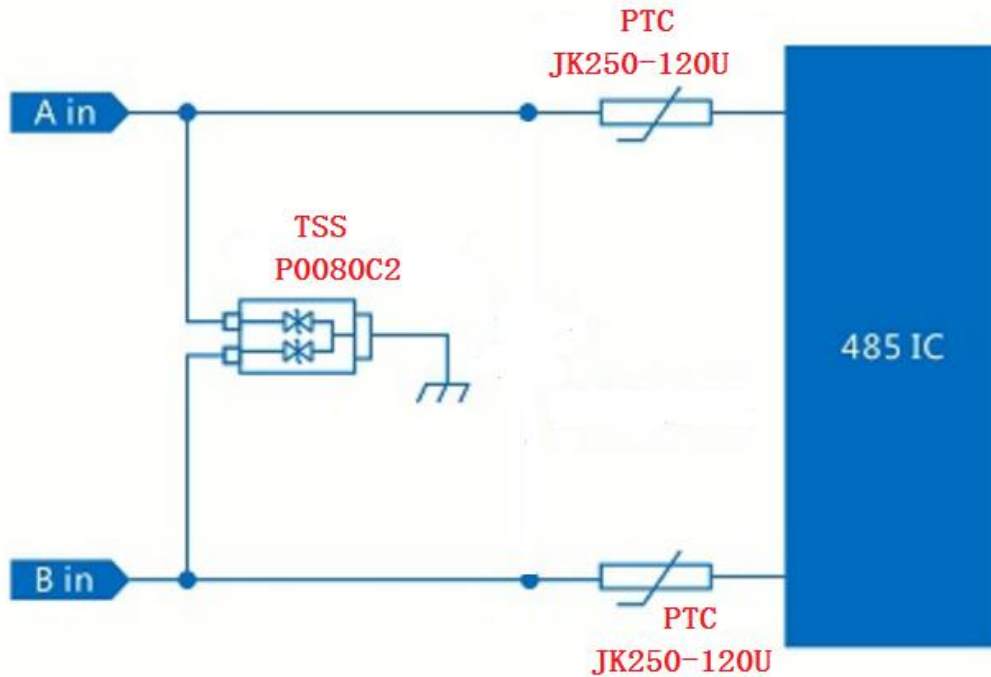


▼RS485 Solution:

Surge level: 10/700 μ s-5/320 μ s CM 6KV-150A



Specification.....

| Part Number | V _{DRM} @I _{DRM} =5 μ A | V _S @100V/ μ s | I _H | I _S | I _T | V _T @I _T =2.2Am ps | Capacitance @1MHz,2V bias | impulse withstand voltage | Package |
|----------------|---|-------------------------------------|-------------------|-------------------|------------------|--|---------------------------------|---------------------------------|---------|
| TSS | V _{min} | V _{max} | mA _{min} | mA _{max} | A _{max} | V _{max} | pF | 10/700us | |
| P0080C2 | 6 | 25 | 50 | 800 | 2.2 | 4 | 120 | 6KV | SMB |

| Part Number | V _{max} | I _{max} | I _h | R _{max} | R _{min} | P _d |
|-------------------|------------------|------------------|----------------|------------------|------------------|----------------|
| PTC | V | A | A | Ω | Ω | w |
| JK250-120U | 250 | 10 | 0.12 | 11 | 6 | 0.8 |

We focus on development, production,distribution of GDT,TSS.MOV,TVS,ESD TVS,PTC component.We have laboratories of EMC,aiming to provide total turnkey service of surge/ESD test and circuit PCB improvement.

sales@huaandz.com