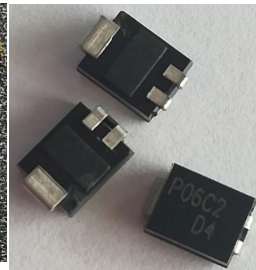
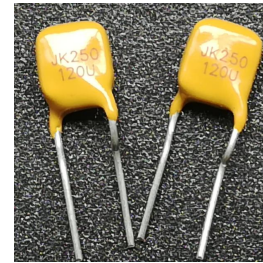
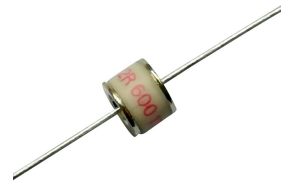
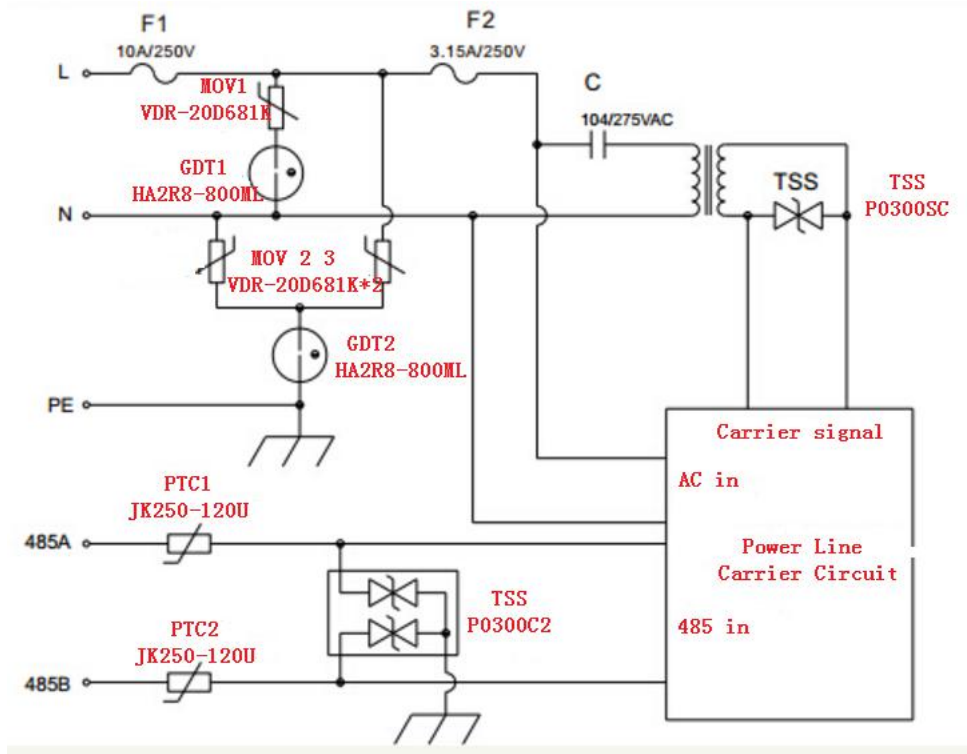


## ▼ Intelligent Meter Solution:

Surge level:

485 Port: 10/700us CM/DM 6KV

AC in Port: 1.2/50µs-8/20µs CM/DM 6KV-5KA



## Specification.....

Part Number	DC Spark-over Voltage@ 100V/S	Insulation Resistance	Impulse discharge current(8/20µs)	AC discharge current (50Hz, 1s, 10times)	Capacitance (1MHz)	Size	UL file number
<b>GDT</b>	V	GΩ	10 Times	A	PF	mm	√
<b>HA2R8-800ML</b>	800V± 20%	>1	10KA	10	≤1	Φ8*6	<b>E505240</b>

Part Number	V <sub>DRM</sub> @I <sub>DRM</sub> =5 µ A	V <sub>s</sub> @100V/µs	I <sub>H</sub>	I <sub>s</sub>	I <sub>T</sub>	V <sub>T</sub> @I <sub>T</sub> =2.2Am ps	Capacitance @1MHz, 2V bias	impulse withstand voltage	Package
<b>TSS</b>	V min	V max	mA min	mA max	A max	V max	pF	10/700us	
<b>P0300C2</b>	<b>25</b>	<b>40</b>	50	800	2.2	4	120	6KV	SMB

Part Number	V <sub>DRM</sub> @I <sub>DRM</sub> =5 μ A	V <sub>S</sub> @100V/ μs	I <sub>H</sub>	I <sub>S</sub>	I <sub>T</sub>	V <sub>T</sub> @I <sub>T</sub> =2.2Am ps	Capacitance @1MHz,2V bias	impulse withstand voltage	Package
TSS	V <sub>min</sub>	V <sub>max</sub>	mA <sub>min</sub>	mA <sub>max</sub>	A <sub>max</sub>	V <sub>max</sub>	pF	10/700us	
<b>P0300SC</b>	<b>25</b>	<b>40</b>	50	800	2.2	4	100	6KV	SMB

Part Number	V <sub>max</sub>	I <sub>max</sub>	I <sub>h</sub>	R <sub>max</sub>	R <sub>min</sub>	P <sub>d</sub>
PTC	V	A	A	Ω	Ω	w
<b>JK250-120U</b>	250	10	0.12	11	6	0.8

Part Number	Varistor Voltage @1mA	Withstanding surge current 8/20us	Maximum Clamping Voltage	UL file number
MOV	V	A	V <sub>AT 50A</sub>	√
<b>VDR-20D681K</b>	680(612-748)	6500	1120	<b>E317616</b>

We focus on development, production,distribution of GDT,TSS.MOV,TVS,ESD,PTC component.We have laboratories of EMC,aiming to provide total turnkey service of surge/ESD test and circuit PCB improvement.

[sales@huaandz.com](mailto:sales@huaandz.com)