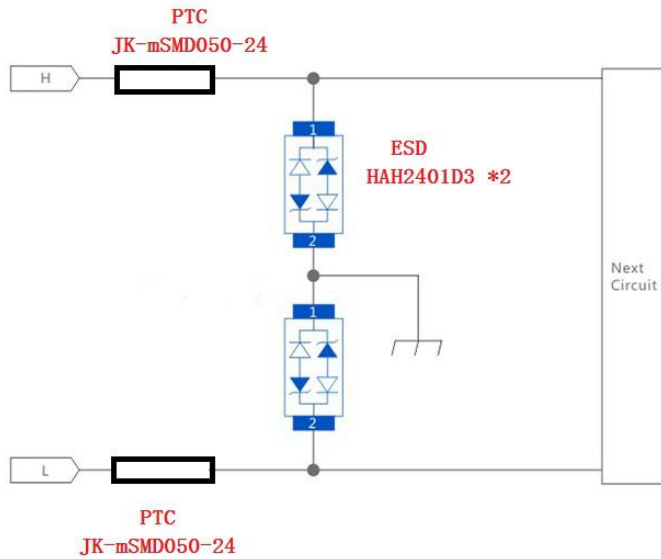


▼ CAN Solution:

ESD level: IEC61000-4-2 Level 4 contact discharge: 8KV, Air discharge: 15KV



Specification.....

Part Number	VRWM	VBR	Co Typical value	Vc @1A	Ppp 8/20us	Package	ESD Air / Contact
ESD TVS	V	V	pF	V _{max}	W		
HAH2401D3	24	26.7	1	43	350	SOD-323	±8kV / ±15kV

Part Number	V _{max}	I _{max}	I _h	R _{max}	Size	P _d
PTC	V	A	A	Ω		w
JK-mSMD050-24	24	100	0.5	0.15	1812	0.8

We focus on development, production, distribution of GDT, TSS.MOV, TVS, ESD, PTC component. We have laboratories of EMC, aiming to provide total turnkey service of surge/ESD test and circuit PCB improvement.

sales@huaandz.com