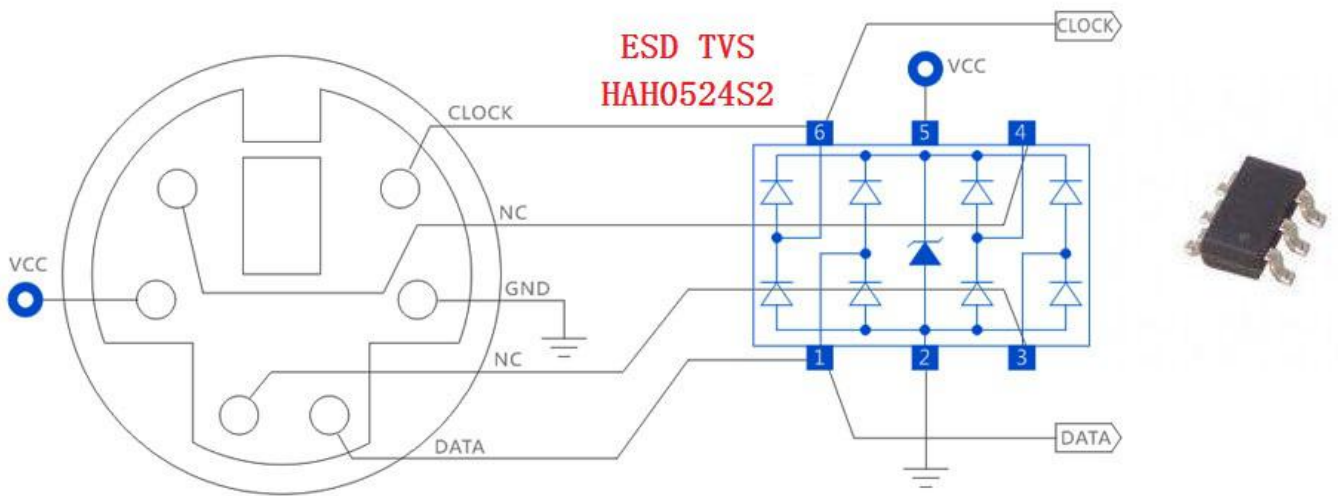


## ▼PS2 Solution:

Surge level: **Contact 8KV** **Air 15KV**



## Specification.....

| Part Number      | VRWM     | VBR      | Co<br>Typical value | Vc @1A                 | Ppp<br>8/20us | Package         | ESD<br>Air / Contact |
|------------------|----------|----------|---------------------|------------------------|---------------|-----------------|----------------------|
| <b>ESD TVS</b>   | <b>V</b> | <b>V</b> | <b>pF</b>           | <b>V<sub>max</sub></b> | <b>W</b>      |                 |                      |
| <b>HAH0524S2</b> | <b>5</b> | <b>6</b> | <b>1</b>            | <b>9.0</b>             | <b>80</b>     | <b>SOT23-6L</b> | <b>±10kV / ±15kV</b> |

We focus on development, production, distribution of GDT, TSS, MOV, TVS, ESD, PTC component. We have laboratories of EMC, aiming to provide total turnkey service of surge/ESD test and circuit PCB improvement.

[sales@huaandz.com](mailto:sales@huaandz.com)