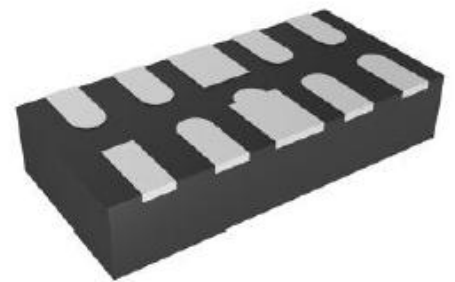
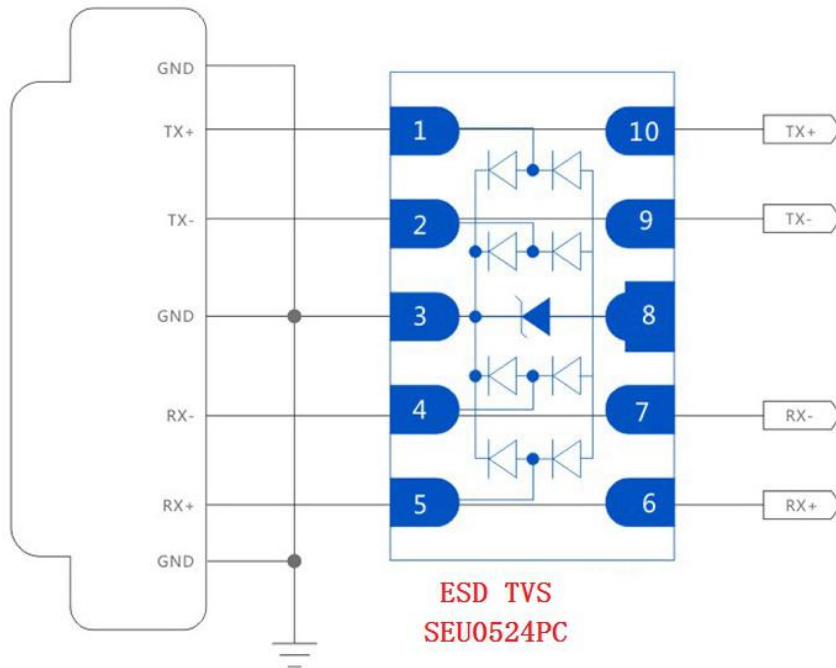


▼ E-SATA Solution:

Surge level: **Contact 8KV Air 15KV**



Specification.....

Part Number	VRWM	VBR	Co Typical value	Vc @1A	Ppp 8/20us	Package	ESD Air / Contact
ESD TVS	V	V	pF	V _{max}	W		
SEU0524PC	5	6	1	9.0	100	DFN2510-10	±8kV / ±15kV

We focus on development, production, distribution of GDT, TSS.MOV, TVS, ESD, PTC component. We have laboratories of EMC, aiming to provide total turnkey service of surge/ESD test and circuit PCB improvement.

sales@huaandz.com