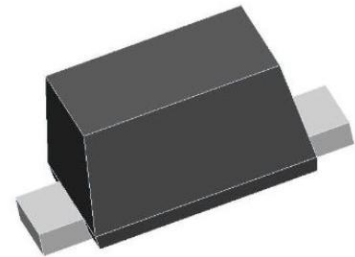
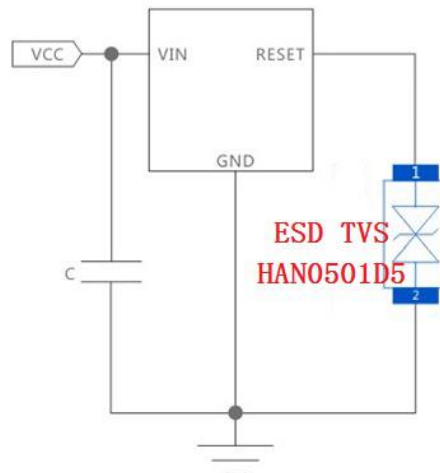
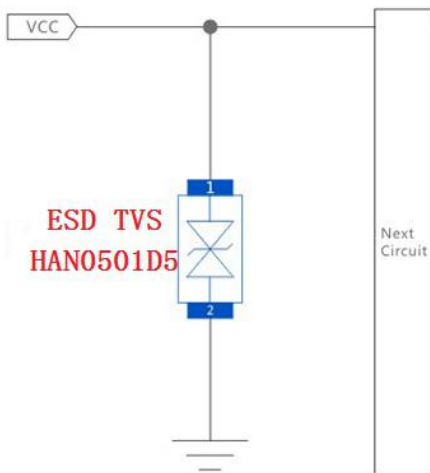


▼ Speaker Headphone Microphone Solution:

Surge level: **Contact 8KV** **Air 15KV**



Specification.....

Part Number	VRWM	VBR	Co Typical value	Vc @1A	Ppp 8/20us	Package	ESD Air / Contact
ESD TVS	V	V	pF	V _{max}	W		
HAN0501D5	5	6	20	9.0	100	SOD-523	±8kV / ±15kV

We focus on development, production,distribution of GDT,TSS.MOV,TVS,ESD,PTC component.We have laboratories of EMC,aiming to provide total turnkey service of surge/ESD test and circuit PCB improvement.

sales@huaandz.com