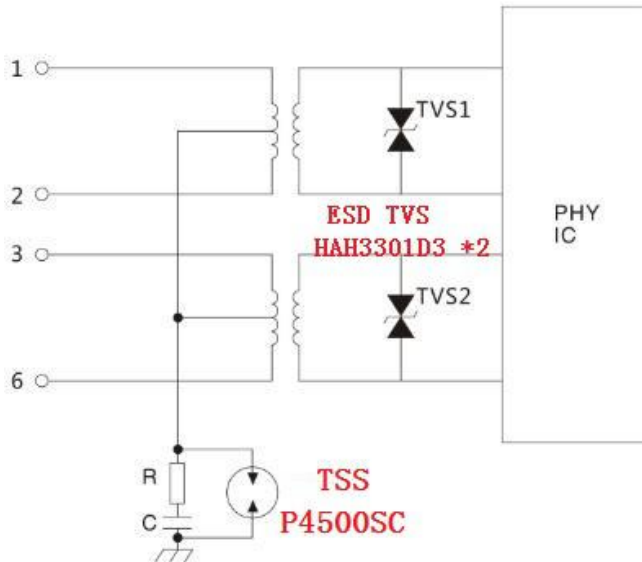


### ▼RJ45 10/100M Ethernet Solution:

Surge level: 10/700μs CM/DM 6KV



### Specification.....

Part Number	VRWM	VBR	Co Typical value	Vc @1A	Ppp 8/20us	Package	ESD Air / Contact
<b>ESD TVS</b>	V	V	pF	V <sub>max</sub>	W		
<b>HAH3301D3</b>	<b>3.3</b>	<b>4</b>	<b>1</b>	<b>7.0</b>	<b>350</b>	<b>SOD-323</b>	<b>±8kV / ±15kV</b>

Part Number	V <sub>DRM</sub> @I <sub>DRM</sub> =5 μ A	V <sub>S</sub> @100V/μs	I <sub>T</sub>	V <sub>T</sub> @I <sub>T</sub> =2.2Amps	Capacitance @1MHz,2V bias	impulse withstand voltage	Package
<b>TSS * 2</b>	V <sub>min</sub>	V <sub>max</sub>	A	V <sub>max</sub>	pF	10/700us	
<b>P4500SC</b>	<b>420</b>	<b>540</b>	2.2	4	45	6KV	SMB

We focus on development, production,distribution of GDT,TSS.MOV,TVS,ESD,PTC component.We have laboratories of EMC,aiming to provide total turnkey service of surge/ESD test and circuit PCB improvement.

[sales@huaandz.com](mailto:sales@huaandz.com)