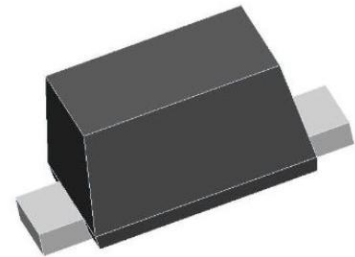
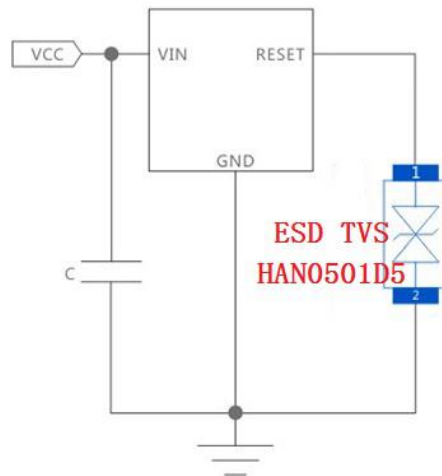
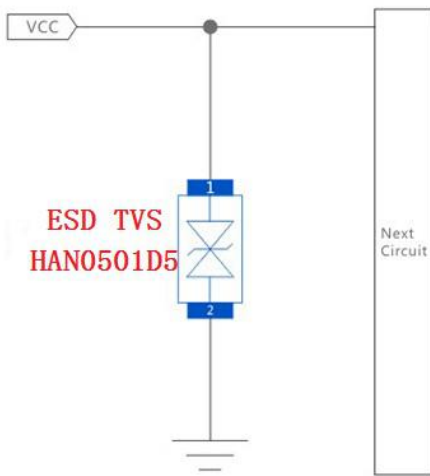


### ▼ Speaker Headphone Microphone Solution:

Surge level: **Contact 8KV Air 15KV**



### Specification.....

Part Number	VRWM	VBR	Co Typical value	Vc @1A	Ppp 8/20us	Package	ESD Air / Contact
ESD TVS	V	V	pF	V <sub>max</sub>	W		
<b>HAN0501D5</b>	<b>5</b>	<b>6</b>	<b>20</b>	<b>9.0</b>	<b>100</b>	<b>SOD-523</b>	<b>±8kV / ±15kV</b>

We focus on development, production,distribution of GDT,TSS.MOV,TVS,ESD,PTC component.We have laboratories of EMC,aiming to provide total turnkey service of surge/ESD test and circuit PCB improvement.

[sales@huaandz.com](mailto:sales@huaandz.com)