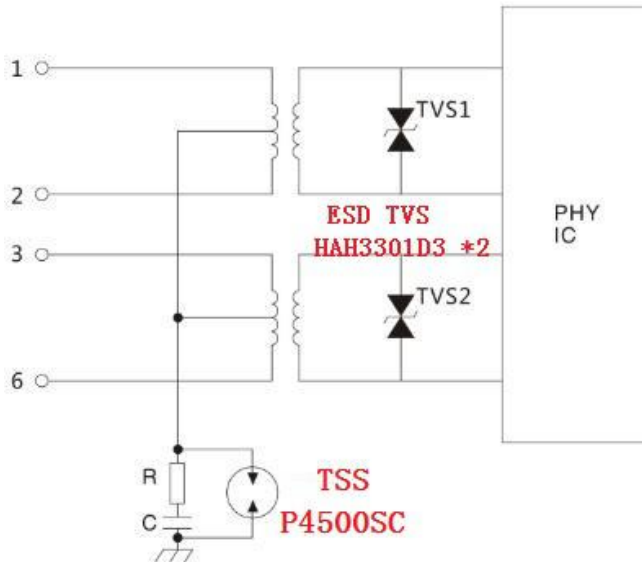


▼RJ45 10/100M Ethernet Solution:

Surge level: 10/700μs CM/DM 6KV



Specification.....

Part Number	VRWM	VBR	Co Typical value	Vc @1A	Ppp 8/20us	Package	ESD Air / Contact
ESD TVS	V	V	pF	V _{max}	W		
HAH3301D3	3.3	4	1	7.0	350	SOD-323	±8kV / ±15kV

Part Number	V _{DRM} @I _{DRM} =5 μ A	V _S @100V/μs	I _T	V _T @I _T =2.2Amps	Capacitance @1MHz,2V bias	impulse withstand voltage	Package
TSS * 2	V _{min}	V _{max}	A	V _{max}	pF	10/700us	
P4500SC	420	540	2.2	4	45	6KV	SMB

We focus on development, production,distribution of GDT,TSS.MOV,TVS,ESD,PTC component.We have laboratories of EMC,aiming to provide total turnkey service of surge/ESD test and circuit PCB improvement.

sales@huaandz.com