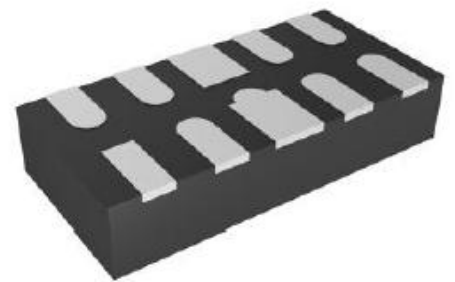
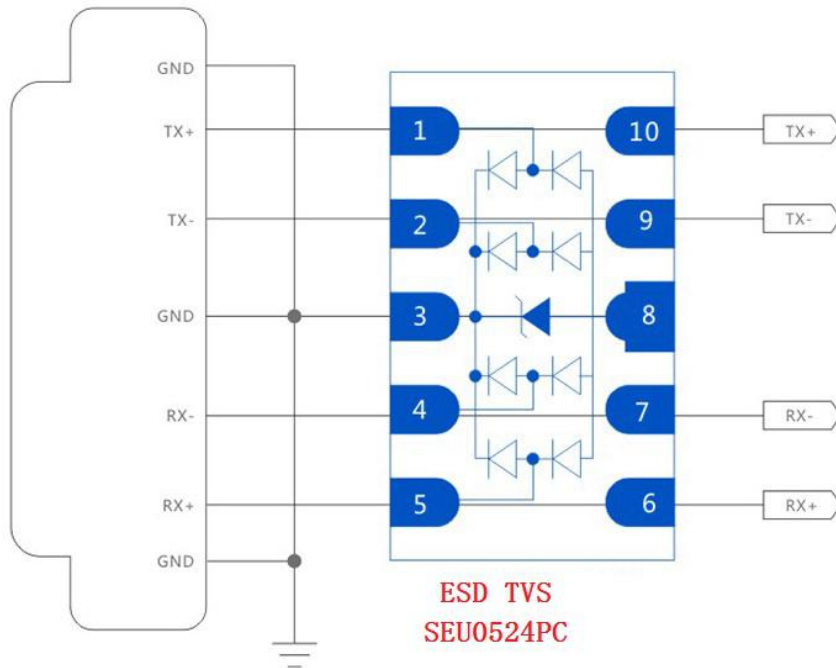


### ▼ E-SATA Solution:

Surge level: **Contact 8KV** **Air 15KV**



### Specification.....

Part Number	VRWM	VBR	Co Typical value	Vc @1A	Ppp 8/20us	Package	ESD Air / Contact
ESD TVS	V	V	pF	V <sub>max</sub>	W		
<b>SEU0524PC</b>	<b>5</b>	<b>6</b>	<b>1</b>	<b>9.0</b>	<b>100</b>	<b>DFN2510-10</b>	<b>±8kV / ±15kV</b>

We focus on development, production, distribution of GDT, TSS.MOV, TVS, ESD, PTC component. We have laboratories of EMC, aiming to provide total turnkey service of surge/ESD test and circuit PCB improvement.

[sales@huaandz.com](mailto:sales@huaandz.com)