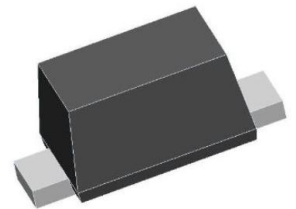
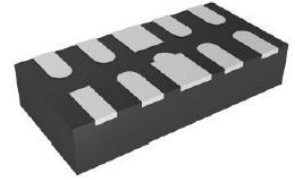
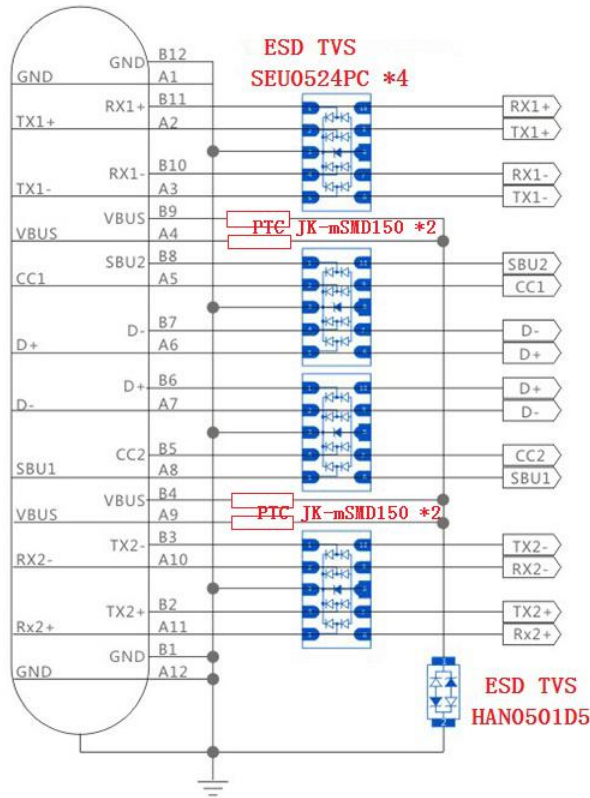


▼Type-C Solution: Surge level: Contact 8KV Air 15KV



Specification.....

Part Number	VRWM	VBR	Co Typical value	Vc @1A	Ppp 8/20us	Package	ESD Air / Contact
ESD TVS	V	V	pF	V_{max}	W		
HAN0501D5	5	6	20	9.0	100	SOD-523	±8kV / ±15kV
SEU0524PC	5	6	1	9.0	100	DFN2510-10	±8kV / ±15kV

Part Number	Vmax	I max	Ih	Rmax	Size	Pd
PTC	V	A	A	Ω		w
JK-mSMD150	8	100	1.5	0.16	1812	0.8

We focus on development, production, distribution of GDT, TSS, MOV, TVS, ESD, PTC component. We have laboratories of EMC, aiming to provide total turnkey service of surge/ESD test and circuit PCB improvement.

sales@huaandz.com