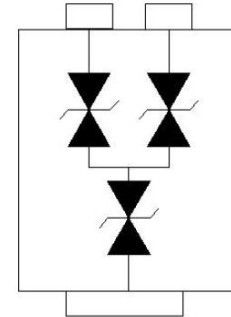
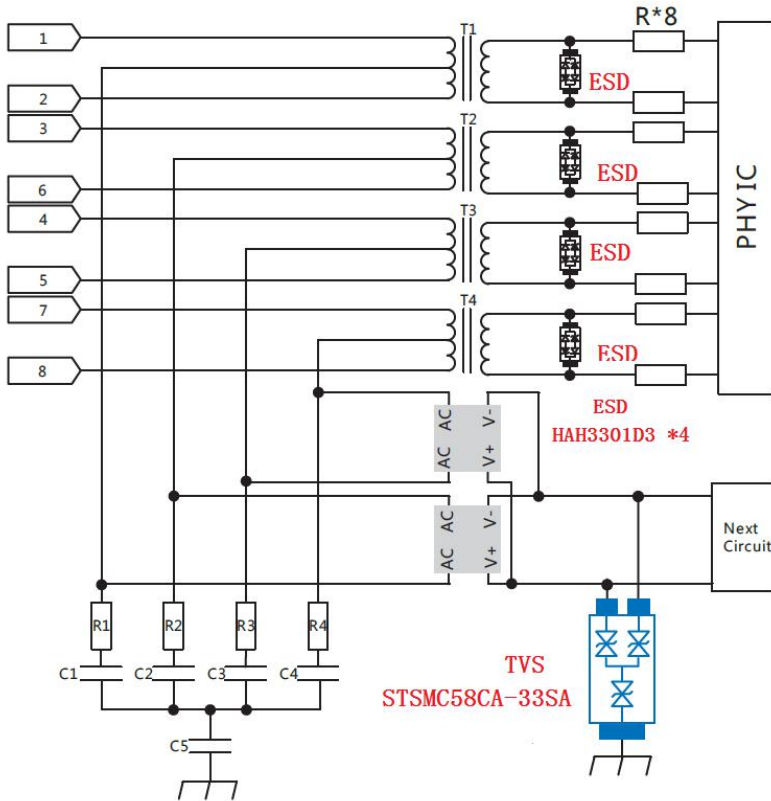


### ▼RJ45 POE Solution:

Surge level: 10/700μs-5/320us CM/DM 6KV-150A



### Specification.....

| Part Number           | Vbr              | Ir        | Vrwm      | Ipp 8/20US | Vc          | Package      |
|-----------------------|------------------|-----------|-----------|------------|-------------|--------------|
| <b>TVS</b>            | <b>V</b>         | <b>uA</b> | <b>V</b>  | <b>A</b>   | <b>V</b>    |              |
| <b>STSMC58CA-33SA</b> | <b>64.4-71.2</b> | <b>1</b>  | <b>58</b> | <b>500</b> | <b>93.6</b> | <b>SMC-3</b> |

We focus on development, production,distribution of GDT,TSS.MOV,TVS,ESD,PTC component.We have laboratories of EMC,aiming to

| Part Number      | VRWM       | VBR      | Co<br>Typical value | Vc @1A       | Ppp<br>8/20us | Package        | ESD<br>Air / Contact |
|------------------|------------|----------|---------------------|--------------|---------------|----------------|----------------------|
| <b>ESD TVS</b>   | <b>V</b>   | <b>V</b> | <b>pF</b>           | <b>V max</b> | <b>W</b>      |                |                      |
| <b>HAH3301D3</b> | <b>3.3</b> | <b>4</b> | <b>1</b>            | <b>7.0</b>   | <b>350</b>    | <b>SOD-323</b> | <b>±8kV / ±15kV</b>  |

provide total turnkey service of surge/ESD test and circuit PCB improvement.

[sales@huaandz.com](mailto:sales@huaandz.com)