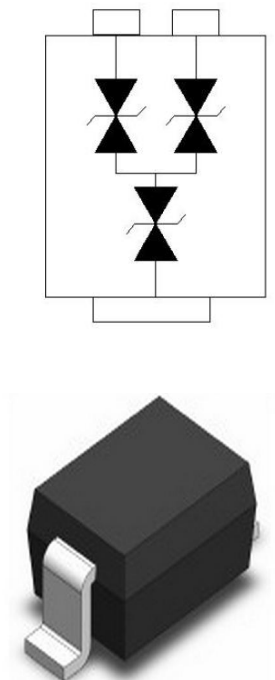
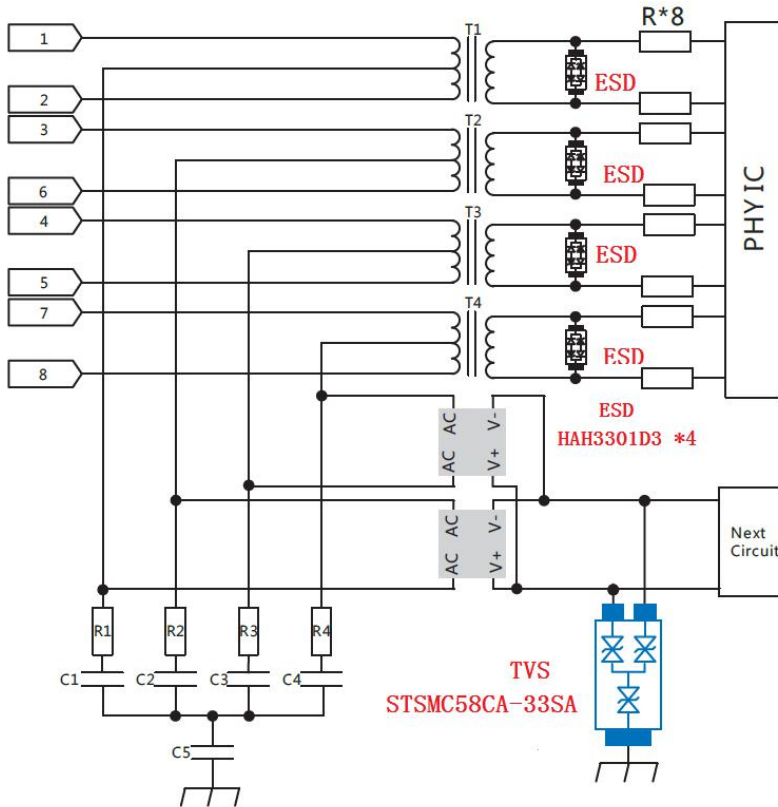


▼RJ45 POE Solution:

Surge level: 10/700µs-5/320us CM/DM 6KV-150A



Specification.....

Part Number	Vbr	Ir	Vrwm	Ipp 8/20US	Vc	Package
TVS	V	uA	V	A	V	
STSMC58CA-33SA	64.4-71.2	1	58	500	93.6	SMC-3

We focus on development, production,distribution of GDT,TSS.MOV,TVS,ESD,PTC component.We have laboratories of EMC,aiming to

Part Number	VRWM	VBR	Co Typical value	Vc @1A	Ppp 8/20us	Package	ESD Air / Contact
ESD TVS	V	V	pF	V max	W		
HAH3301D3	3.3	4	1	7.0	350	SOD-323	±8kV / ±15kV

provide total turnkey service of surge/ESD test and circuit PCB improvement.

sales@huaandz.com