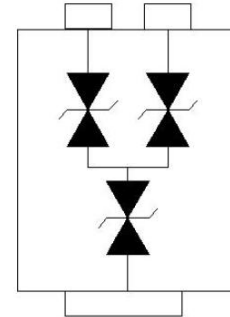
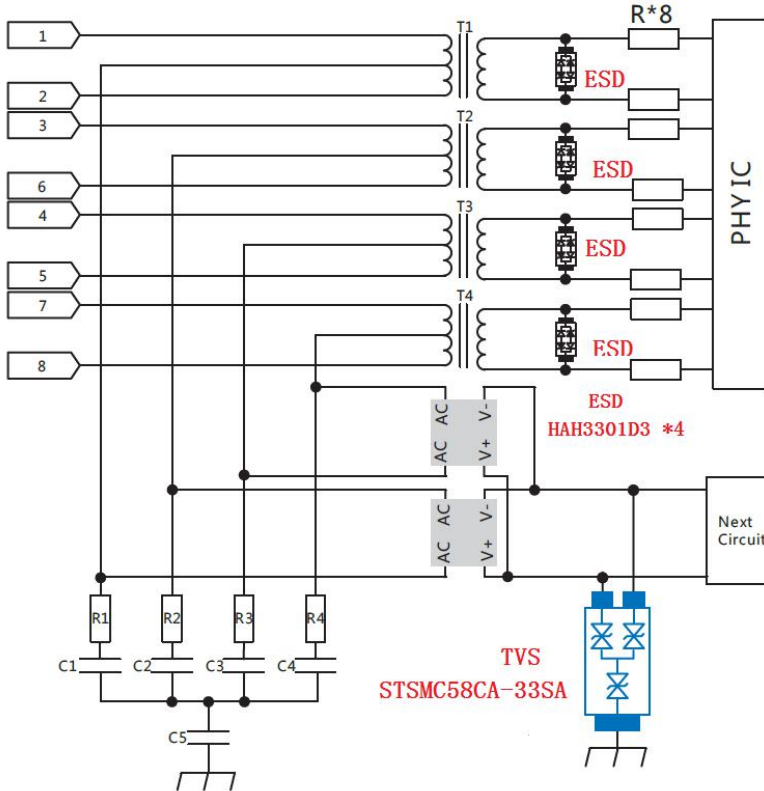


### ▼RJ45 POE Solution:

Surge level: 10/700μs-5/320us CM/DM 4KV-100A



### Specification.....

Part Number	Vbr	Ir	Vrwm	Ipp 8/20US	Vc	Package
<b>TVS</b>	<b>V</b>	<b>uA</b>	<b>V</b>	<b>A</b>	<b>V</b>	
<b>STSMC58CA-33SA</b>	<b>64.4-71.2</b>	<b>1</b>	<b>58</b>	<b>500</b>	<b>93.6</b>	<b>SMC-3</b>

We focus on development, production,distribution of GDT,TSS.MOV,TVS,ESD,PTC component.We have laboratories of EMC,aiming to

Part Number	VRWM	VBR	Co Typical value	Vc @1A	Ppp 8/20us	Package	ESD Air / Contact
<b>ESD TVS</b>	<b>V</b>	<b>V</b>	<b>pF</b>	<b>V<sub>max</sub></b>	<b>W</b>		
<b>HAH3301D3</b>	<b>3.3</b>	<b>4</b>	<b>1</b>	<b>7.0</b>	<b>350</b>	<b>SOD-323</b>	<b>±8kV / ±15kV</b>

provide total turnkey service of surge/ESD test and circuit PCB improvement.

[sales@huaandz.com](mailto:sales@huaandz.com)