

▼RJ45 POE Solution:

Surge level:

Signal Line

10/700us-5/320us

CM 6KV-150A

DM 2KV-50A

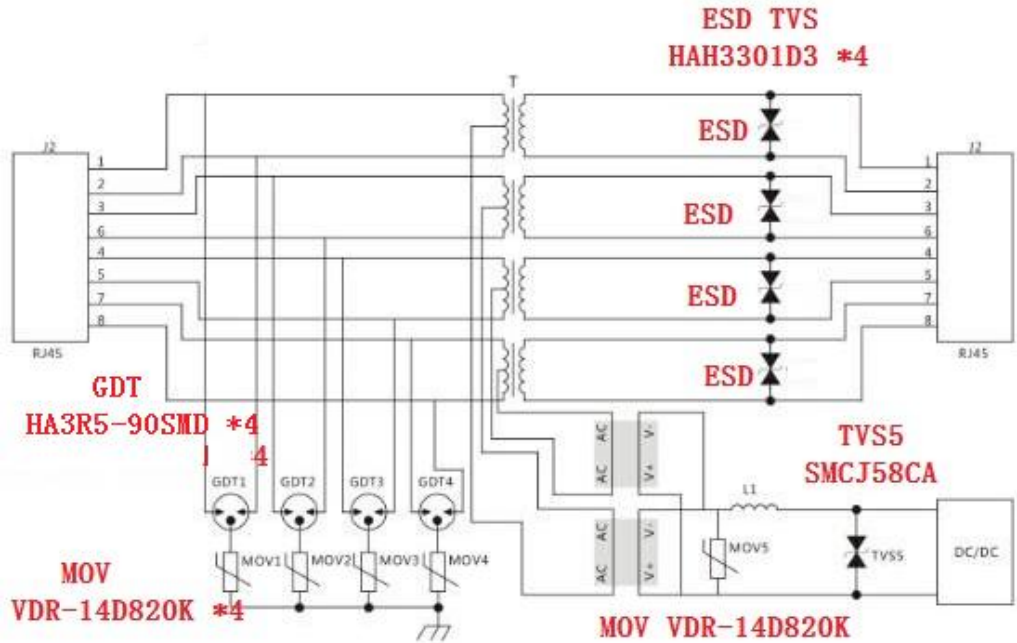
1.2/50us-8-20us

CM 6KV-3KA

Power Line

1.2/50us-8-20us

CM 6KV-3KA



Specification.....

Part Number	VRWM	VBR	Co Typical value	Vc @1A	Ppp 8/20us	Package	ESD Air / Contact
ESD TVS	V	V	pF	V _{max}	W		
HAH3301D3	3.3	4	1	7.0	350	SOD-323	±8kV / ±15kV

Part Number	DC Spark-over Voltage @ 100V/S	Impulse Spark -over Voltage @1KV/μs	Impulse discharg e current(8/20 μ s)	AC discharge current(50Hz,1s ,10times)	Capacita nce (1MHz)	UL file number
GDT	V	V	10 Times	A	PF	√
HA3R5-90SMD	90±20%	≤ 550	5KA	5	≤1	E505240

Part Number	Varistor Voltage @1mA	Withstanding surge current 8/20us	Maximum Clamping Voltage
MOV	V	A	V AT 50A
VDR-14D820K	82(74-90)	4500	135

Part Number	Vbr	Ir	Vrwm	Ipp	Vc	Package
TVS S	V	uA	V	A	V	
SMCJ58CA	64.4-71.2	5	58	16.1	93.6	SMC

We focus on development, production,distribution of GDT,TSS.MOV,TVS,ESD,PTC component.We have laboratories of EMC,aiming to provide total turnkey service of surge/ESD test and circuit PCB improvement.

sales@huaandz.com