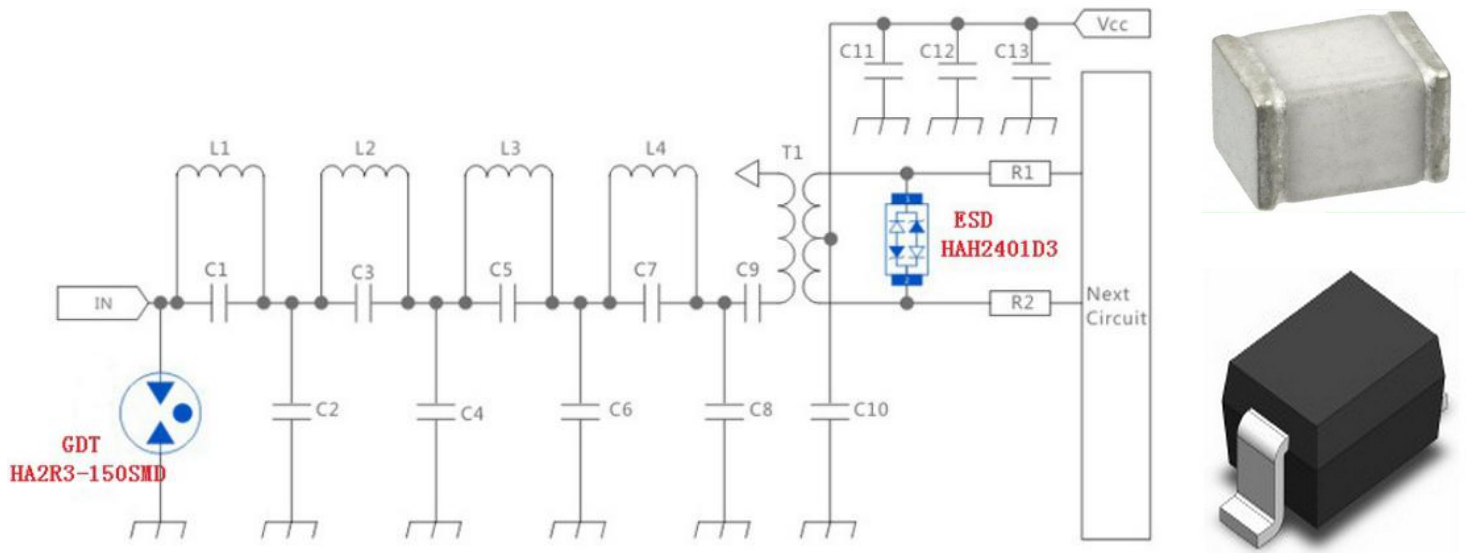


▼ Coaxial Solution:

Surge level: 8/20μs CM 4KV-2KA



Specification.....

Part Number	DC Spark-over Voltage@ 100V/S	Impulse discharge current(8/20μs)	AC discharge current (50Hz,1s,10times)	Capacitance (1MHz)	Size	UL file number
GDT	V	10 Times	A	PF	mm	✓
HA2R3-150SMD	150V± 20%	2KA	2	≤1	4.5*3.2*2.7	E505240

Part Number	VRWM	VBR	Co Typical value	Vc @1A	Ppp 8/20us	Package	ESD Air / Contact
ESD TVS	V	V	pF	V _{max}	W		
HAH2401D3	24	26.7	1	43	350	SOD-323	±8kV / ±15kV

We have laboratories of EMC,aiming to provide total turnkey service of surge/ESD test and circuit PCB improvement.

sales@huaandz.com