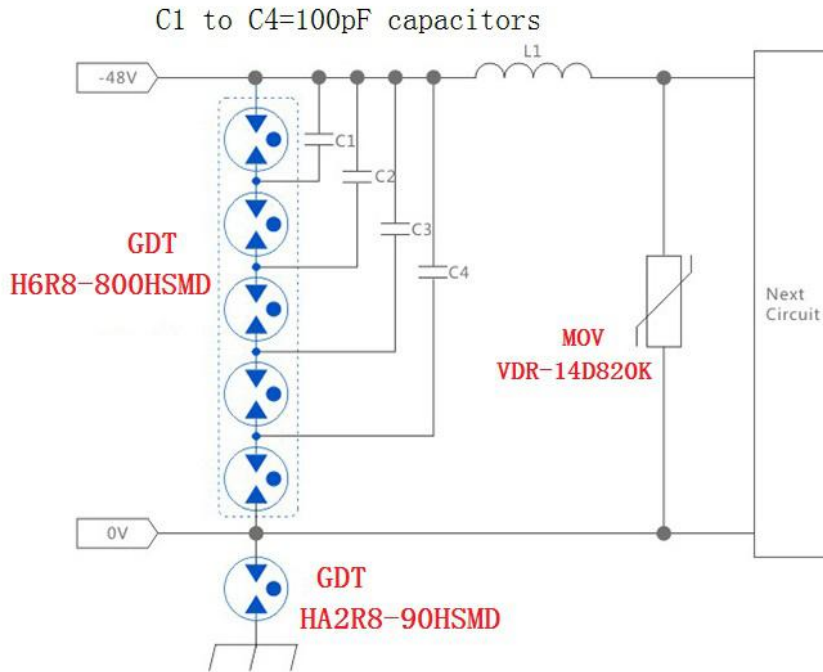


▼DC48V Solution:

Surge level: 8/20 μ s CM/DM 20KA



Specification.....

Part Number	DC Spark-over Voltage@ 100V/S	Insulation Resistance	Impulse discharge current(8/20 μ s)	AC discharge current (50Hz,1s,10times)	Capacitance (1MHz)	Size
GDT	V	G Ω	10 Times	A	PF	mm
H6R8-800HSMD	600-1100V	>1	20KA	20	≤ 1	$\Phi 8.3 \times 16.3$

Part Number	DC Spark-over Voltage@ 100V/S	Insulation Resistance	Impulse discharge current(8/20 μ s)	AC discharge current (50Hz,1s,10times)	Capacitance (1MHz)	Size	UL file number
GDT	V	G Ω	10 Times	A	PF	mm	√
HA2R8-90HSMD	90V \pm 20%	>1	20KA	20	≤ 1	$\Phi 8 \times 6$ mm	E505240

Part Number	Varistor Voltage @1mA	Withstanding surge current 8/20us	Maximum Clamping Voltage	UL file number
MOV	V	A	V _{AT 50A}	√
VDR-14D820K	82(74-90)	4500	135	E317616

We focus on development, production,distribution of GDT,TSS.MOV,TVS,ESD,PTC component.We have laboratories of EMC,aiming to provide total turnkey service of surge/ESD test and circuit PCB improvement.

sales@huaandz.com