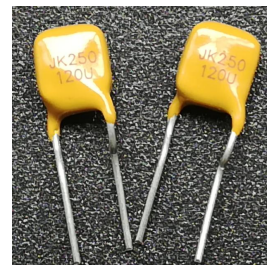
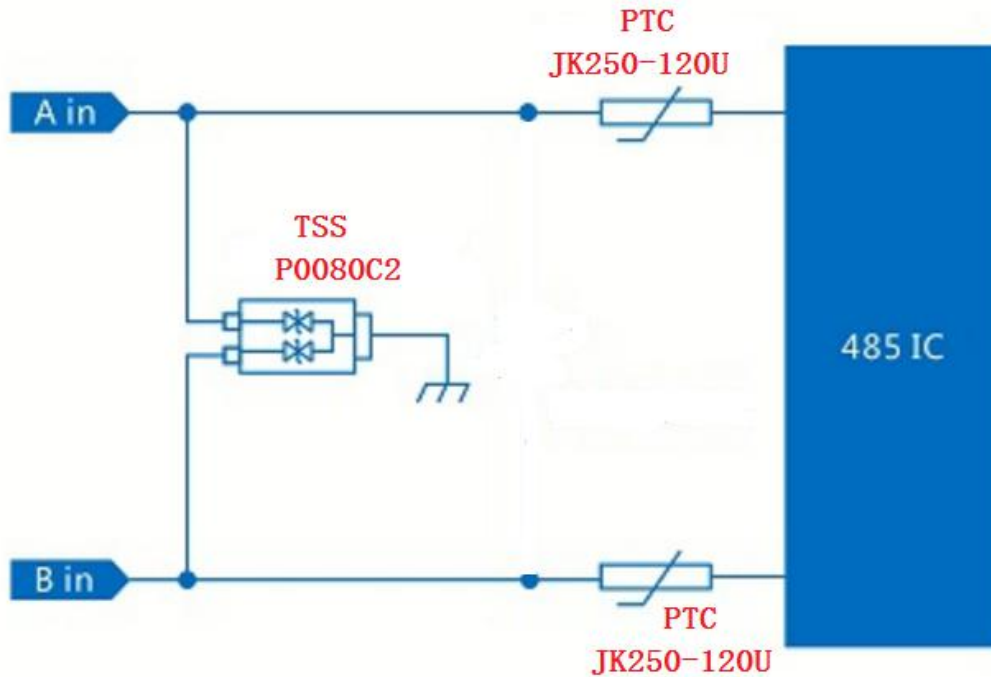


### ▼RS485 Solution:

Surge level: 10/700 $\mu$ s-5/320 $\mu$ s CM 6KV-150A



### Specification.....

| Part Number    | V <sub>DRM</sub><br>@I <sub>DRM</sub><br>=5 $\mu$ A | V <sub>S</sub><br>@100V/<br>$\mu$ s | I <sub>H</sub>    | I <sub>S</sub>    | I <sub>T</sub>   | V <sub>T</sub><br>@I <sub>T</sub> =2.2Am<br>ps | Capacitance<br>@1MHz,2V<br>bias | impulse<br>withstand<br>voltage | Package |
|----------------|---|-------------------------------------|-------------------|-------------------|------------------|--|---------------------------------|---------------------------------|---------|
| TSS            | V <sub>min</sub>                                    | V <sub>max</sub>                    | mA <sub>min</sub> | mA <sub>max</sub> | A <sub>max</sub> | V <sub>max</sub>                               | pF                              | 10/700us                        |         |
| <b>P0080C2</b> | 6   | 25                                  | 50                | 800               | 2.2              | 4  | 120                             | 6KV                             | SMB     |

| Part Number       | V <sub>max</sub> | I <sub>max</sub> | I <sub>h</sub> | R <sub>max</sub> | R <sub>min</sub> | P <sub>d</sub> |
|-------------------|------------------|------------------|----------------|------------------|------------------|----------------|
| PTC               | V                | A                | A              | $\Omega$         | $\Omega$         | w              |
| <b>JK250-120U</b> | 250              | 10               | 0.12           | 11               | 6                | 0.8            |

We focus on development, production,distribution of GDT,TSS.MOV,TVS,ESD TVS,PTC component.We have laboratories of EMC,aiming to provide total turnkey service of surge/ESD test and circuit PCB improvement.

[sales@huaandz.com](mailto:sales@huaandz.com)