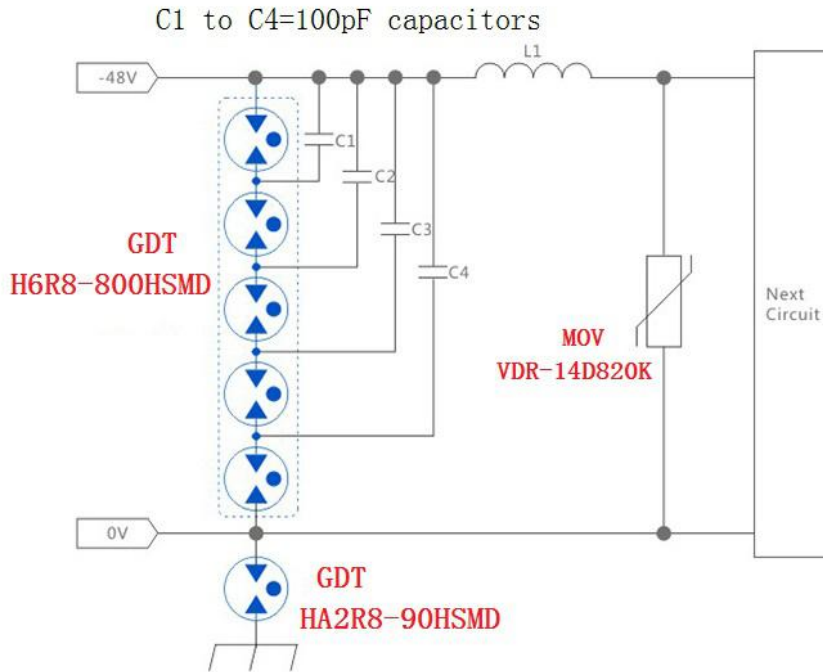


### ▼DC48V Solution:

Surge level: 8/20 $\mu$ s CM/DM 20KA



### Specification.....

Part Number	DC Spark-over Voltage@ 100V/S	Insulation Resistance	Impulse discharge current(8/20 $\mu$ s)	AC discharge current (50Hz,1s,10times)	Capacitance (1MHz)	Size
<b>GDT</b>	V	G $\Omega$	10 Times	A	PF	mm
<b>H6R8-800HSMD</b>	600-1100V	>1	20KA	20	$\leq 1$	$\Phi 8.3*16.3$

Part Number	DC Spark-over Voltage@ 100V/S	Insulation Resistance	Impulse discharge current(8/20 $\mu$ s)	AC discharge current (50Hz,1s,10times)	Capacitance (1MHz)	Size	UL file number
<b>GDT</b>	V	G $\Omega$	10 Times	A	PF	mm	√
<b>HA2R8-90HSMD</b>	90V $\pm$ 20%	>1	20KA	20	$\leq 1$	$\Phi 8*6$ mm	<b>E505240</b>

Part Number	Varistor Voltage @1mA	Withstanding surge current 8/20us	Maximum Clamping Voltage	UL file number
<b>MOV</b>	V	A	V <sub>AT 50A</sub>	√
<b>VDR-14D820K</b>	82(74-90)	4500	135	<b>E317616</b>

We focus on development, production,distribution of GDT,TSS.MOV,TVS,ESD,PTC component.We have laboratories of EMC,aiming to provide total turnkey service of surge/ESD test and circuit PCB improvement.

[sales@huaandz.com](mailto:sales@huaandz.com)