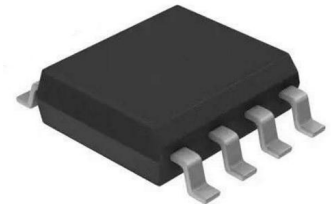
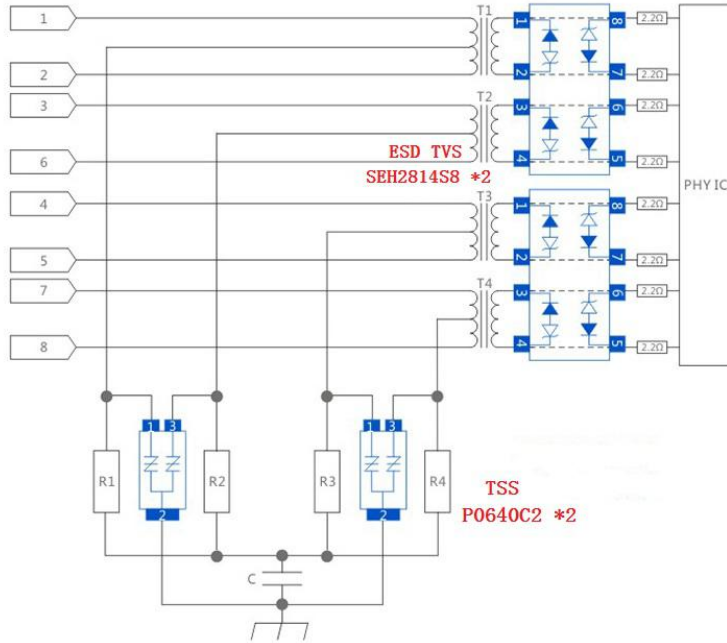


## ▼RJ45 Solution:

Surge level: 10/700μs CM/DM 6KV



## Specification.....

Part Number	V <sub>DRM</sub> @I <sub>DRM</sub> =5 μ A	V <sub>S</sub> @100V/ μs	I <sub>H</sub>	I <sub>S</sub>	I <sub>T</sub>	V <sub>T</sub> @I <sub>T</sub> =2.2Am ps	Capacitance @1MHz,2V bias	impulse withstand voltage	Package
<b>TSS</b>	V <sub>min</sub>	V <sub>max</sub>	mA <sub>min</sub>	mA <sub>max</sub>	A <sub>max</sub>	V <sub>max</sub>	pF	10/700us	
<b>P0640C2</b>	<b>58</b>	<b>77</b>	150	800	2.2	4	120	6KV	SMB

Part Number	VRWM	VBR	C <sub>0</sub> Typical value	V <sub>c</sub> @1A	P <sub>pp</sub> 8/20us	Package	ESD Air / Contact
<b>ESD TVS</b>	V	V	pF	V <sub>max</sub>	W		
<b>SEH2814S8</b>	<b>2.8</b>	<b>3</b>	<b>1</b>	<b>5</b>	<b>400</b>	<b>SO-8</b>	<b>±30kV / ±30kV</b>

We focus on development, production, distribution of GDT, TSS, MOV, TVS, ESD TVS, PTC component. We have laboratories of EMC, aiming to provide total turnkey service of surge/ESD test and circuit PCB improvement.

[sales@huaandz.com](mailto:sales@huaandz.com)