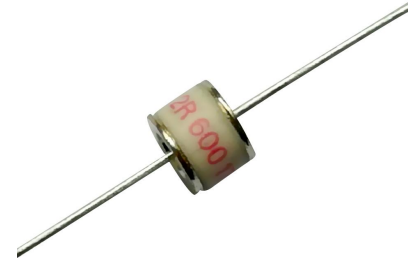
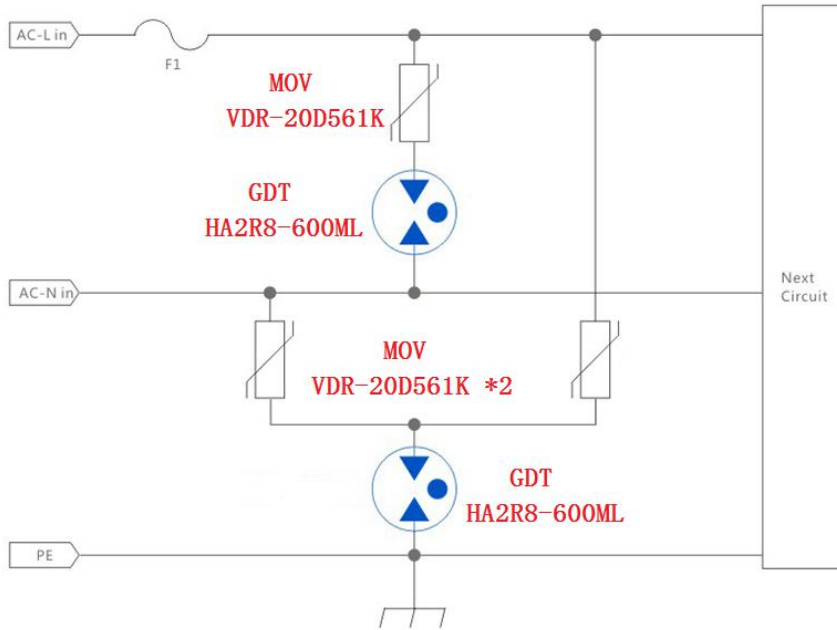


## ▼ AC220V Solution:

Surge level: 1.2/50us-8/20us CM/DM 10KV-5KA



## Specification.....

Part Number	DC Spark-over Voltage@ 100V/S	Insulation Resistance	Impulse discharge current(8/20μs)	AC discharge current (50Hz, 1s, 10times)	Capacitance (1MHz)	Size	UL file number
<b>GDT</b>	V	GΩ	10 Times	A	PF	mm	√
<b>HA2R8-600ML</b>	600V± 20%	>1	10KA	10	≤1	Φ8*6	<b>E505240</b>

Part Number	Varistor Voltage @1mA	Withstanding surge current 8/20us	Maximum Clamping Voltage
<b>MOV</b>	V	A	V AT 50A
<b>VDR-20D561K</b>	560(504-616)	6500	920

We focus on development, production, distribution of GDT, TSS, MOV, TVS, ESD, PTC component. We have laboratories of EMC, aiming to provide total turnkey service of surge/ESD test and circuit PCB improvement.

[sales@huaandz.com](mailto:sales@huaandz.com)