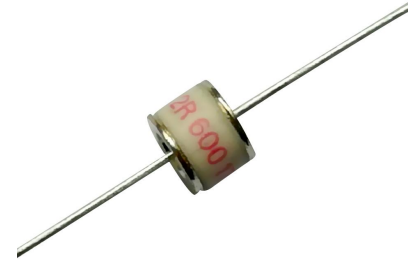
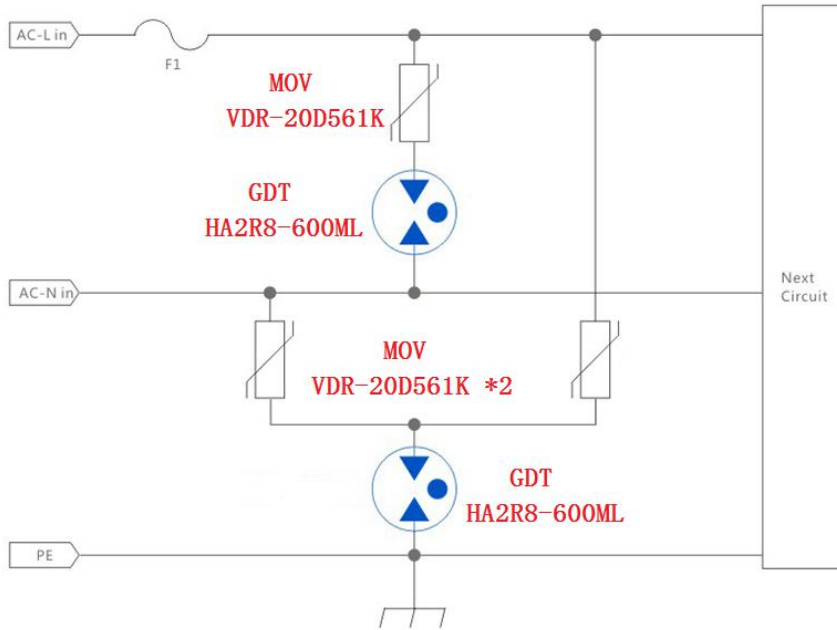


▼ AC220V Solution:

Surge level: 1.2/50us-8/20us CM/DM 10KV-5KA



Specification.....

| Part Number | DC Spark-over Voltage@ 100V/S | Insulation Resistance | Impulse discharge current(8/20μs) | AC discharge current (50Hz, 1s, 10times) | Capacitance (1MHz) | Size | UL file number |
|--------------------|-------------------------------|-----------------------|-----------------------------------|--|--------------------|------|----------------|
| GDT | V | GΩ | 10 Times | A | PF | mm | √ |
| HA2R8-600ML | 600V± 20% | >1 | 10KA | 10 | ≤1 | Φ8*6 | E505240 |

| Part Number | Varistor Voltage @1mA | Withstanding surge current 8/20us | Maximum Clamping Voltage |
|--------------------|-----------------------|-----------------------------------|--------------------------|
| MOV | V | A | V AT 50A |
| VDR-20D561K | 560(504-616) | 6500 | 920 |

We focus on development, production, distribution of GDT, TSS, MOV, TVS, ESD, PTC component. We have laboratories of EMC, aiming to provide total turnkey service of surge/ESD test and circuit PCB improvement.

sales@huaandz.com