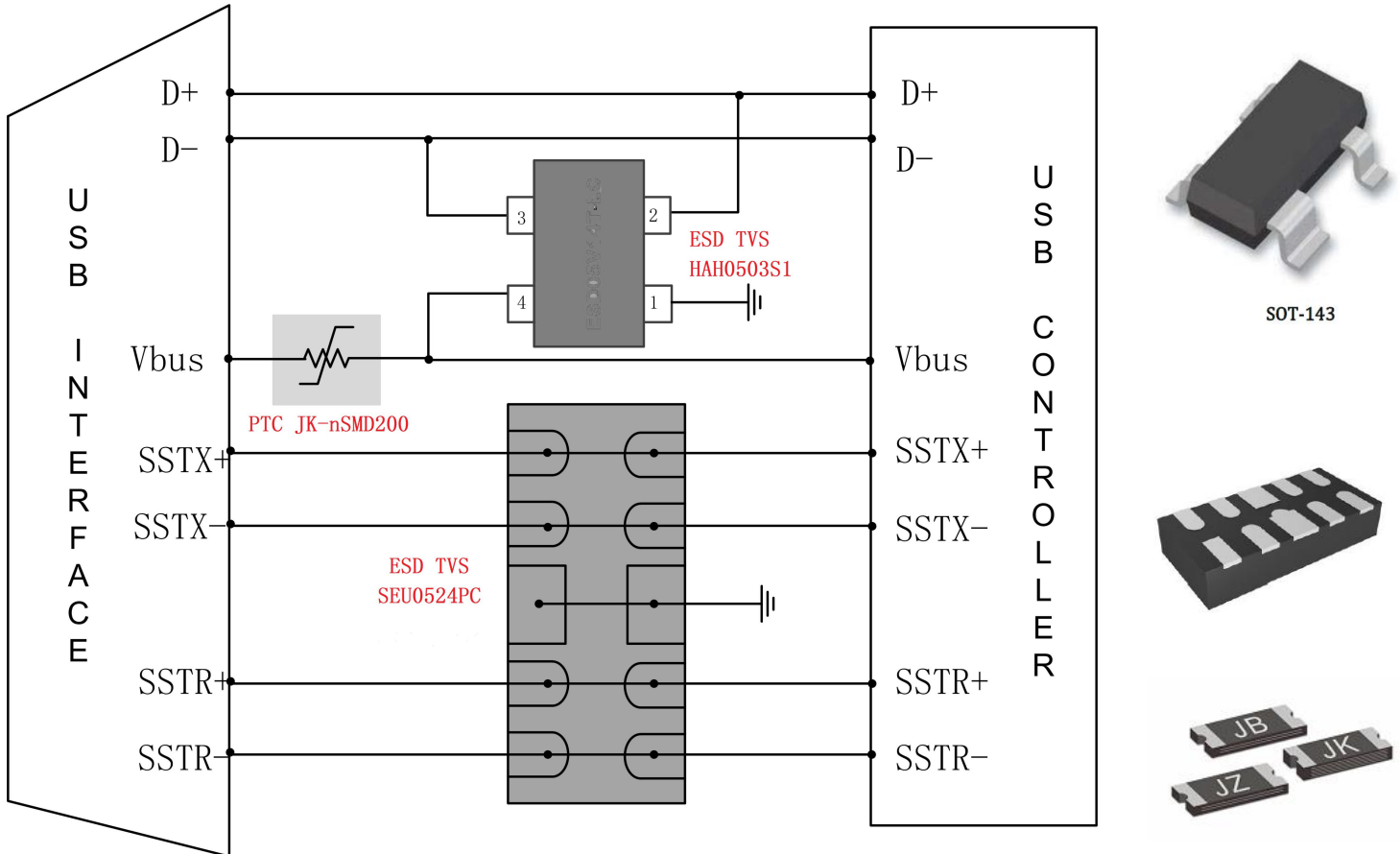


▼USB3.0 Solution:

Surge level: Contact 8KV Air 15KV



Specification.....

Part Number	VRWM	VBR	Co Typical value	Vc @1A	Ppp 8/20us	Package	ESD Air / Contact
ESD TVS	V	V	pF	V_{max}	W		
SEU0524PC	5	6	1	9.0	100	DFN2510-10	±8kV / ±15kV

Part Number	VRWM	VBR	Co Typical value	Vc @1A	Ppp 8/20us	Package	ESD Air / Contact
ESD TVS	V	V	pF	V_{max}	W		
HAH0503S1	5	6	0.8	10	75	SOT-143	±8kV / ±15kV

Part Number	Vmax	I max	Ih	Rmax	Size	Pd
PTC	V	A	A	Ω		w
JK-nSMD200	6	100	2	0.08	1206	0.8

We focus on development, production,distribution of GDT,TSS.MOV,TVS,ESD,PTC component.We have laboratories of EMC,aiming to provide total turnkey service of surge/ESD test and circuit PCB improvement.

sales@huaandz.com