

Resettable Fuse PTC

Features

Radial leaded devices.

Over-current protection

High voltage surge capabilities

Flame retardant epoxy polymer insulating material meets UL94 V-0 requirement.

Available in lead-free version.

Meets MSL level 1, per J-STD-020



Dimensions(Unit:mm)

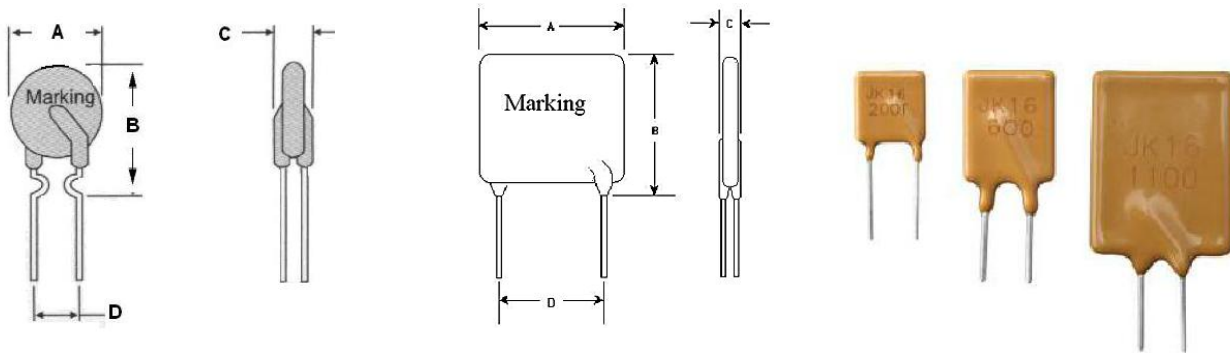


Fig 1

Fig 2

Part number	Dimensions(mm)				Lead material	Shape
	A(max)	B(max)	C(max)	D(Typ)	Tinned Matel(mm)	Fig
JK16-010T	5.5	12.0	3.0	5.1	24 AWG/ Φ0.5	1
JK16-025T	5.5	12.0	3.0	5.1	24 AWG/ Φ0.5	1
JK16-030T	5.5	12.0	3.0	5.1	24 AWG/ Φ0.5	1
JK16-050T	5.5	12.0	3.0	5.1	24 AWG/ Φ0.5	1
JK16-075T	7.4	13.5	3.0	5.1	24 AWG/ Φ0.5	1
JK16-090T	7.4	13.5	3.0	5.1	24 AWG/ Φ0.5	1
JK16-110T	7.4	13.5	3.0	5.1	24 AWG/ Φ0.5	1
JK16-135T	7.4	13.5	3.0	5.1	24 AWG/ Φ0.5	1
JK16-160T	7.4	14.0	3.0	5.1	24 AWG/ Φ0.5	2
JK16-200T	9.0	12.0	3.0	5.1	24 AWG/ Φ0.5	2
JK16-300	9.0	12.0	3.0	5.1	20 AWG/ Φ0.8	2
JK16-400	10.0	13.0	3.0	5.1	20 AWG/ Φ0.8	2
JK16-500	10.0	17.5	3.0	5.1	20 AWG/ Φ0.8	2
JK16-600	13.5	17.5	3.0	5.1	20 AWG/ Φ0.8	2
JK16-700	13.5	23.0	3.0	5.1	20 AWG/ Φ0.8	2
JK16-800	13.5	23.0	3.0	5.1	20 AWG/ Φ0.8	2
JK16-900	15.0	24.0	3.0	5.1	20 AWG/ Φ0.8	2
JK16-1000	18.0	26.0	3.0	5.1	20 AWG/ Φ0.8	2

JK16-1100	18.0	26.0	3.0	5.1	20 AWG/ Φ0.8	2
JK16-1200	22.5	26.0	3.0	10.2	20 AWG/ Φ0.8	2
JK16-1300	24.0	30.0	3.0	10.2	20 AWG/ Φ0.8	2
JK16-1400	24.0	30.0	3.0	10.2	20 AWG/ Φ0.8	2

Note: Dimensions A,B,C is the maximum size,D Values is typical tolerance of ±0.5mm

Thermal Derating Chart-IH (A)

JK16 Series

Part Number	Maximum ambient operating temperatures (°C)									
	-40	-20	0	25	40	50	60	70	80	85
JK16-010T	0.14	0.13	0.12	0.1	0.09	0.08	0.08	0.07	0.06	0.04
JK16-020T	0.37	0.33	0.3	0.25	0.24	0.22	0.2	0.17	0.15	0.11
JK16-030T	0.44	0.39	0.36	0.3	0.28	0.26	0.24	0.21	0.18	0.14
JK16-050T	0.74	0.66	0.6	0.5	0.48	0.44	0.4	0.35	0.30	0.23
JK16-075T	1.11	0.99	0.9	0.75	0.72	0.66	0.6	0.53	0.45	0.35
JK16-090T	1.33	1.18	1.08	0.9	0.86	0.79	0.72	0.63	0.54	0.42
JK16-110T	1.62	1.45	1.32	1.1	1.05	0.96	0.88	0.78	0.67	0.51
JK16-135T	1.99	1.78	1.62	1.35	1.29	1.18	1.08	0.95	0.82	0.63
JK16-160T	2.36	2.11	1.92	1.6	1.53	1.40	1.28	1.13	0.97	0.75
JK16-200T	2.96	2.64	2.4	2	1.92	1.76	1.6	1.42	1.22	0.94
JK16-300	4.44	3.96	3.6	3	2.88	2.64	2.4	2.13	1.83	1.41
JK16-400	5.92	5.28	4.8	4	3.84	3.52	3.2	2.84	2.44	1.88
JK16-500	7.4	6.6	6	5	4.8	4.4	4	3.55	3.05	2.35
JK16-600	8.88	7.92	7.2	6	5.76	5.28	4.8	4.26	3.66	2.82
JK16-700	10.36	9.24	8.4	7	6.72	6.16	5.6	4.97	4.27	3.29
JK16-800	11.84	10.56	9.6	8	7.68	7.04	6.4	5.68	4.88	3.76
JK16-900	13.32	11.88	10.8	9	8.64	7.92	7.2	6.39	5.49	4.23
JK16-1000	14.8	13.2	12	10	9.6	8.8	8	7.1	6.1	4.7
JK16-1100	16.28	14.52	13.2	11	10.56	9.68	8.8	7.81	6.71	5.17
JK16-1200	17.76	15.84	14.4	12	11.52	10.56	9.6	8.52	7.32	5.64
JK16-1300	19.24	17.16	15.6	13	12.48	11.44	10.4	9.23	7.93	6.11
JK16-1400	20.72	18.48	16.8	14	13.44	12.32	11.2	9.94	8.54	6.58

Electrical characteristics(25°C)

Part Number	I _{Hold} (A)	I _{Trip} (A)	V _{max}	I _{max}	P _{d Max}	Maximum Time to Trip		Nominal resistance (mΩ)	
			V _(DC)	A	W	Current (A)	Time (S)	R _{min}	R _{max}
JK16-010T	0.1	0.3	16	100	0.38	0.5	5	1500	7500
JK16-025T	0.25	0.5	16	100	0.45	1.25	5	500	1950
JK16-030T	0.3	0.6	16	100	0.49	1.5	5	300	700
JK16-050T	0.5	1.0	16	100	0.56	2.5	5	200	500
JK16-075T	0.75	1.5	16	100	0.72	3.75	5	100	260
JK16-090T	0.9	1.8	16	100	0.83	4.5	5	90	180
JK16-110T	1.1	2.2	16	100	0.94	5.5	5	60	150
JK16-135T	1.35	2.7	16	100	1.2	6.75	5	40	130
JK16-160T	1.6	3.2	16	100	1.4	8	5	40	110
JK16-200T	2	4	16	100	2.2	6	15	35	75
JK16-300	3	6	16	100	2.3	9	15	20	60
JK16-400	4	8	16	100	2.4	12	15	20	40
JK16-500	5	10	16	100	2.6	15	15	14	25
JK16-600	6	12	16	100	2.8	18	15	10	21
JK16-700	7	14	16	100	3.0	21	15	8	15
JK16-800	8	16	16	100	3.0	24	15	6	13
JK16-900	9	18	16	100	3.3	27	25	4	12
JK16-1000	10	20	16	100	3.7	30	30	4	11
JK16-1100	11	22	16	100	3.7	33	30	3	9
JK16-1200	12	24	16	100	4.2	36	30	3	8
JK16-1300	13	26	16	100	4.2	39	50	3	8
JK16-1400	14	28	16	100	4.2	40	50	3	7

- I_H = Hold current: maximum current device will pass without tripping in 25°C still air.
- I_T = Trip current: minimum current at which the device will trip in 25°C still air.
- V_{MAXI} = Maximum interrupt voltage device can withstand without damage at rated current.
- I_{MAX} = Maximum fault current device can withstand without damage at rated voltage.
- R_{MAX} = Maximum resistance of device in initial (un-soldered) state.
- R_{MIN} = Minimum resistance of device in initial (un-soldered) state.

Ambient temperature: -40°C ~+85°C

Packing quantity: JK16-010T ~ JK16-600 1000Pcs/Bag
 JK16-700 ~ JK16-900 500Pcs/Bag
 JK16-1000 ~ JK16-1400 200Pcs/Bag



Specifications are subject to change without notice

sales@huaandz.com

Cross Reference List (16V Series)

HUAAN Resettable Fuse Part Number	Cross Reference
	Littelfuse Poly-Fuse / Resettable PTC Part Number
JK16-300	16R300G
JK16-400	16R400G
JK16-500	16R500G
JK16-600	16R600G
JK16-700	16R700G
JK16-800	16R800G
JK16-900	16R900G
JK16-1000	16R1000G
JK16-1100	16R1100G
JK16-1200	16R1200G
JK16-1300	
JK16-1400	16R1400G

The above trademarks are belonging to the HUAAN LIMITED,Littelfuse .

We do not ensure characteristics of HUAAN products just same as products of Littelfuse .

Specifications are subject to change without notice

sales@huaandz.com

abc0734@126.com