

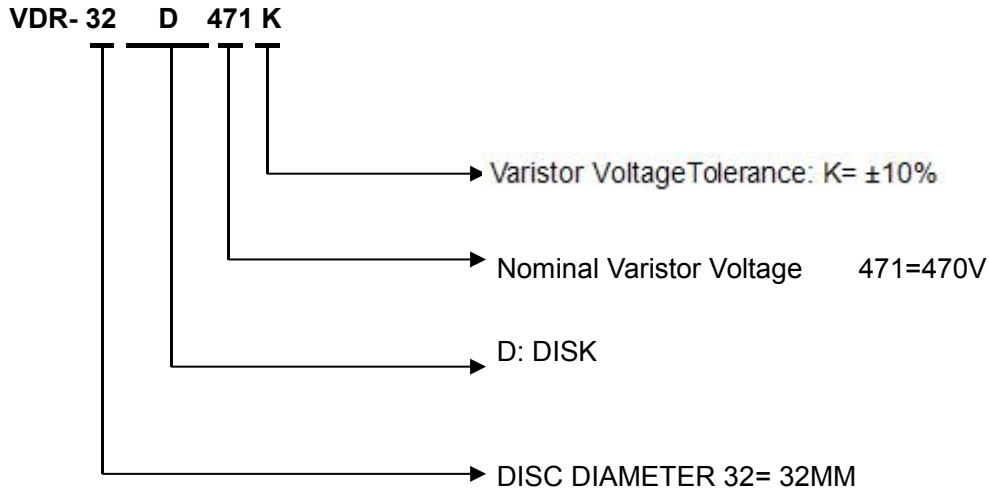
#### Features

- Wide operating voltage (V1mA) range from 200V to 1800V
- Fast responding to transient over-voltage
- Large absorbing transient energy capability
- Low clamping ratio and no follow-on current
- Meets MSL level 1, per J-STD-020
- Safety certification: UL1414,UL1449,CSA,VDE
- Operating Temperature: -40°C ~ +85°C
- Storage Temperature: -40°C ~ +125°C

#### Applications

- Transistor, diode, IC, thyristor or triac semiconductor protection
- Surge protection in consumer electronics
- Surge protection in industrial electronics
- Surge protection in electronic home appliances, gas and petroleum appliances
- Relay and electromagnetic valve surge absorption

#### Description of Part Number



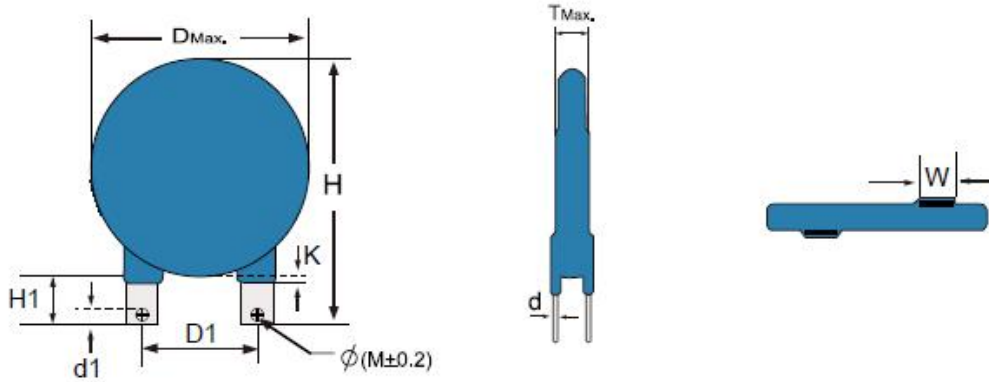
VDR-32D511K Picture



### Electrical Characteristics

Part Number	Maximum Allowable Voltage		Varistor Voltage $V_{1mA}(V)$	Maximum Clamping Voltage		Withstandi ng Surge Current  I(A) Standard	Maximum Energy (10/1000 $\mu$ s)  (J) Standard	Rated Power  (W)	Typical Capacitance (Reference)  1KHz(pf)
	$V_{AC}(V)$	$V_{DC}(V)$		$I_P(A)$	$V_C(V)$				
VDR-32D201K	130	170	200(180~220)	200	340	20000	250	1.2	5200
VDR-32D221K	140	180	220(198~242)	200	360	20000	270	1.2	5150
VDR-32D241K	150	200	240(216~264)	200	395	20000	290	1.2	5100
VDR-32D271K	175	225	270(243~297)	200	455	20000	300	1.2	4800
VDR-32D301K	190	250	300(270~330)	200	500	20000	330	1.2	4550
VDR-32D331K	210	275	330(297~363)	200	550	20000	360	1.2	4300
VDR-32D361K	230	300	360(324~396)	200	595	20000	380	1.2	3900
VDR-32D391K	250	320	390(351~429)	200	650	20000	400	1.2	3200
VDR-32D431K	275	350	430(387~473)	200	710	20000	430	1.2	3100
VDR-32D471K	300	385	470(423~517)	200	775	20000	460	1.2	2800
VDR-32D511K	320	415	510(459~561)	200	845	20000	510	1.2	2700
VDR-32D561K	350	460	560(504~616)	200	925	20000	540	1.2	2550
VDR-32D621K	385	505	620(558~682)	200	1025	20000	570	1.2	2400
VDR-32D681K	420	560	680(612~748)	200	1120	20000	600	1.2	2200
VDR-32D751K	460	615	750(675~825)	200	1240	20000	620	1.2	2000
VDR-32D781K	485	640	780(702~858)	200	1290	20000	660	1.2	1900
VDR-32D821K	510	670	820(738~902)	200	1355	20000	700	1.2	1800
VDR-32D911K	550	745	910(819~1001)	200	1500	20000	750	1.2	1300
VDR-32D951K	575	765	950(855~1045)	200	1570	20000	780	1.2	1200
VDR-32D102K	625	825	1000(900~1100)	200	1650	20000	810	1.2	1100
VDR-32D112K	680	895	1100(990~1210)	200	1815	20000	910	1.2	1000
VDR-32D122K	750	990	1200(1080~1320)	200	1980	20000	960	1.2	920
VDR-32D142K	880	1140	1400(1260~1540)	200	2310	20000	1020	1.2	800
VDR-32D162K	1000	1280	1600(1440~1760)	200	2640	20000	1080	1.2	700

[sales@huaandz.com](mailto:sales@huaandz.com)



**TABLE 1**

Symbol	Dimensions
H(max.)	56.3
H1(max.)	14.5
D(max.)	38
D1(±1.0)	25.4
T(max.)	TABLE 2
d(±0.1)	0.5
d1(±0.3)	3.7
K(max.)	3.2
W(±0.5)	7.0
(M±0.2)	3.2

**TABLE 2**

Model	T(max.)	Model	T(max.)
201K	6.2	621K	8.7
221K	6.3	681K	9.0
241K	6.4	751K	9.4
271K	6.6	781K	9.6
301K	6.8	821K	9.8
331K	6.9	911K	10.4
361K	7.1	951K	10.6
391K	7.3	102K	11.2
431K	7.5	112K	11.8
471K	7.8	122K	12.3
511K	8.0	142K	13.3
561K	8.3	162K	14.3

### Packing Information

Part Number	Quantity	Packaging Option	Packaging Specification
VDR-32DxxxK	20PCS	Plastic bag	Bulk Pack

[sales@huaandz.com](mailto:sales@huaandz.com)

### Bulk Pack



[sales@huaandz.com](mailto:sales@huaandz.com)