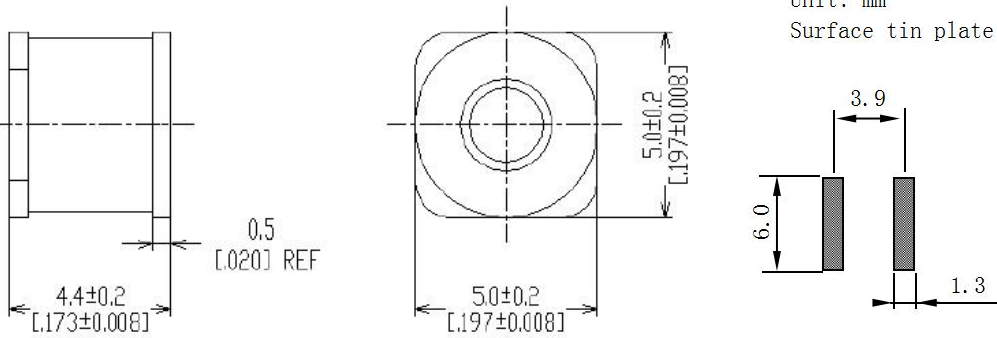


## 2-Electrode Gas Discharge Tubes

2.5KA



### 1: Dimension(mm)



Unit: mm  
Surface tin plate



2: Main Applications	3: Features
<ul style="list-style-type: none"> <li>• PCI Cards protection</li> <li>• Telephone/Fax/Modem protection</li> <li>• single line protection</li> <li>• ADSL/XDSL Splitter, Power Supply</li> <li>• Surge Protection Device/Surge Protector</li> </ul>	<ul style="list-style-type: none"> <li>• 100% Lead-Free (RoHS Compliant)</li> <li>• Non-Radioactive</li> <li>• Low capacitance (<math>\leq 1\text{pF}</math>)</li> <li>• Small size : Ø5*4.4mm</li> <li>• Safety certification  File number: E505240</li> </ul>

## 4 Electrical Characteristics

Part Number	DC Spark-over Voltage@ 100V/S	Impulse Spark-over Voltage @100V/ $\mu\text{s}$	Impulse Spark-over Voltage @1KV/ $\mu\text{s}$	Insulation Resistance	Impulse discharge current(8/20 $\mu\text{s}$ )	AC discharge current (50Hz, 1s, 10times)	Capacitance (1MHz)	UL Certificate
	V	V	V	G $\Omega$	10 Times	A	PF	UL File number
<a href="#">HA2R5-75MSMD</a>	75 $\pm 20\%$	<450	<550	>1	2.5KA	2.5	$\leq 1$	<a href="#">E505240</a>
<a href="#">HA2R5-90MSMD</a>	90 $\pm 20\%$	<450	<550	>1	2.5KA	2.5	$\leq 1$	<a href="#">E505240</a>
<a href="#">HA2R5-150MSMD</a>	150 $\pm 20\%$	<500	<600	>1	2.5KA	2.5	$\leq 1$	<a href="#">E505240</a>
<a href="#">HA2R5-200MSMD</a>	200 $\pm 20\%$	<550	<650	>1	2.5KA	2.5	$\leq 1$	<a href="#">E505240</a>
<a href="#">HA2R5-230MSMD</a>	230 $\pm 20\%$	<600	<700	>1	2.5KA	2.5	$\leq 1$	<a href="#">E505240</a>
<a href="#">HA2R5-300MSMD</a>	300 $\pm 20\%$	<600	<700	>1	2.5KA	2.5	$\leq 1$	<a href="#">E505240</a>
<a href="#">HA2R5-350MSMD</a>	350 $\pm 20\%$	<900	$\leq 1000$	>1	2.5KA	2.5	$\leq 1$	<a href="#">E505240</a>
<a href="#">HA2R5-400MSMD</a>	400 $\pm 20\%$	<900	$\leq 1000$	>1	2.5KA	2.5	$\leq 1$	<a href="#">E505240</a>
<a href="#">HA2R5-470MSMD</a>	470 $\pm 20\%$	<1050	$\leq 1150$	>1	2.5KA	2.5	$\leq 1$	<a href="#">E505240</a>
<a href="#">HA2R5-600MSMD</a>	600 $\pm 20\%$	<1200	$\leq 1300$	>1	2.5KA	2.5	$\leq 1$	<a href="#">E505240</a>

Packing Quantity : 1000PCS

Specifications are subject to change without notice

[sales@huaandz.com](mailto:sales@huaandz.com)