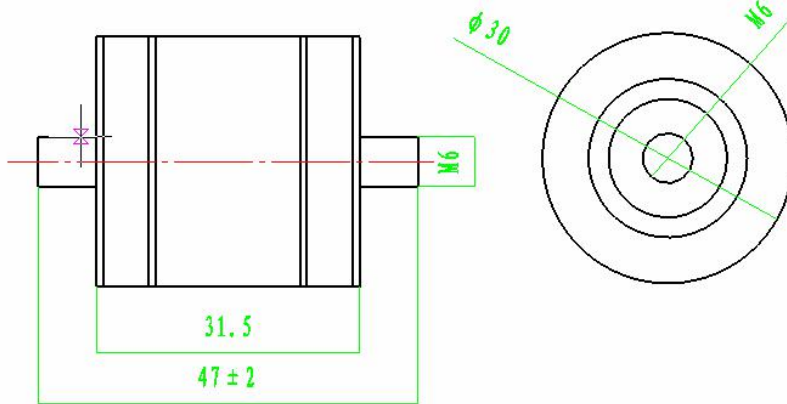


Specification of H4R30-600L

Nominal Dc spark-over voltage (100V/s)	A-B	220V-500V
	B-C	800V-1200V
	C-D	220V-500V
	A-D	1000V-1600V
impulse spark-over voltage 1KV/μs	A-B	<800V
	B-C	<1500V
	C-D	<800V
	A-D	<2500V
Nominal impulse discharge current 8/20μs	50KA	
Maximum nominal impulse discharge current 10/350μs	50KA	
Max continuous working voltage(50-60HZ AC)	255V	
Voltage protection level	<2000V	
Response Rate	50ns	
Charge	25ns	
Minimum insulation resistance	1000MΩ	
Operation and storage temperature	-40℃ ...+90℃	
Marking, Blue	R 600 17	600 - Nominal voltage 17 - Year of production

High Impulse Current Gas Discharge Tubes

100KA



Specification of H4R30-800L

Nominal Dc spark-over voltage (100V/s)	A-B	300V-600V
	B-C	800V-1500V
	C-D	300V-600V
	A-D	1000V-2500V
impulse spark-over voltage 1KV/μs	A-B	<1000V
	B-C	<2800V
	C-D	<1000V
	A-D	<3000V
Nominal impulse discharge current 8/20μs	100KA	
Maximum nominal impulse discharge current 10/350μs	35KA	
Max continuous working voltage(50-60HZ AC)	380V	
Voltage protection level	<2KV	
Response Rate	50ns	
Charge	17.5As	
Minimum insulation resistance	1GΩ	
Marking	R 800 17	800 - Nominal voltage 17 - Year of production

Specifications are subject to change without notice

sales@huaandz.com