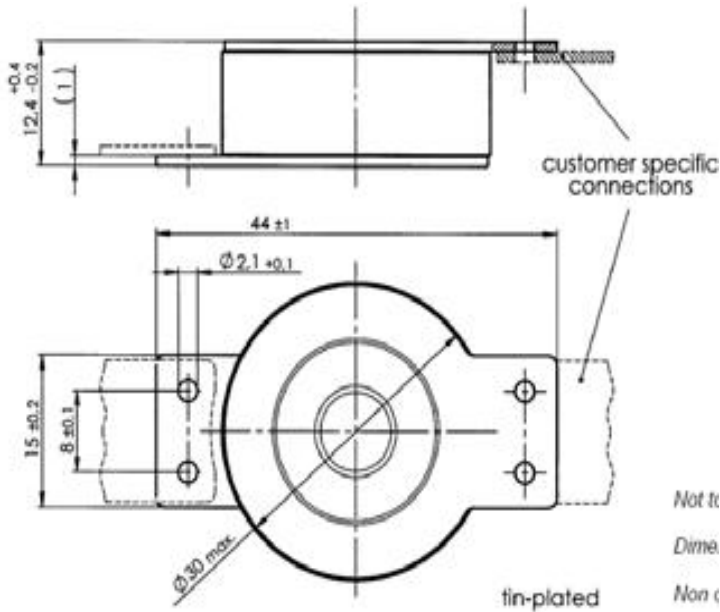


2-Electrode Gas Discharge Tubes

1: Dimension(mm)

Fast Delivery Time



2: Main Applications

- Overvoltage protection against direct lightning strike
- Power supply Class I protection
- Surge Protection Device/Surge Protector

- 100% Lead-Free (RoHS Compliant)
- Non-Radioactive
- Low capacitance ($\leq 4\text{pF}$)
- Fast Response-time, High Insulation Resistance.

4 Electrical Characteristics

Part Number	DC Spark-over Voltage @100V/s V	Impulse Spark-over Voltage @1.2/50us, 6KV V	Nominal AC discharge current 50 Hz, 0.2s, 1 shots A	Insulation Resistance GΩ	Arc Voltage (at 1A) V	Capacitance (1MHz) PF
2B800HD	>600	<1500	300	>1	~24	≤4

5 Life Test

Item	Life Test	Life Test
Item A	15 shots 8/20us	50KA
Item B	10 shot 10/350us	50KA
Item C	10shots 8/20us	100KA

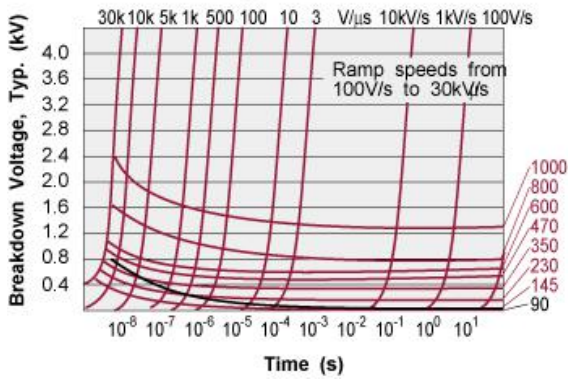
Item A based on IEC61643-11, Item B based on customer's request. For each item new gas discharge tubes shall be used.

Specifications are subject to change without notice

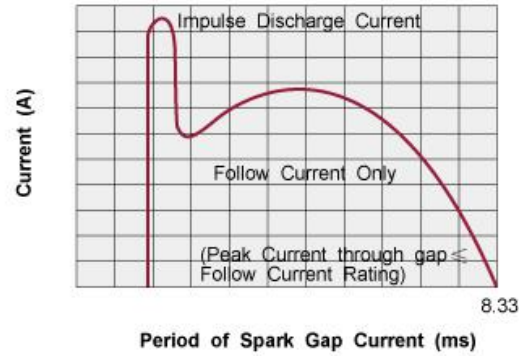
sales@huaandz.com

PERFORMANCE CHARACTERISTICS

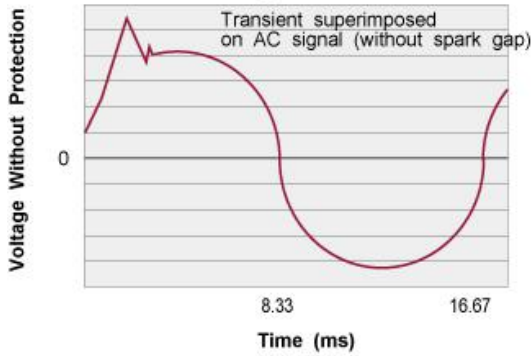
Voltage Breakdown



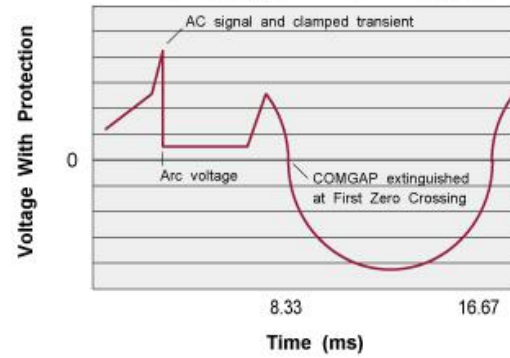
Follow-On Current



Line Voltage - No Protection



Line Voltage - With Protection



Specifications are subject to change without notice

sales@huaandz.com