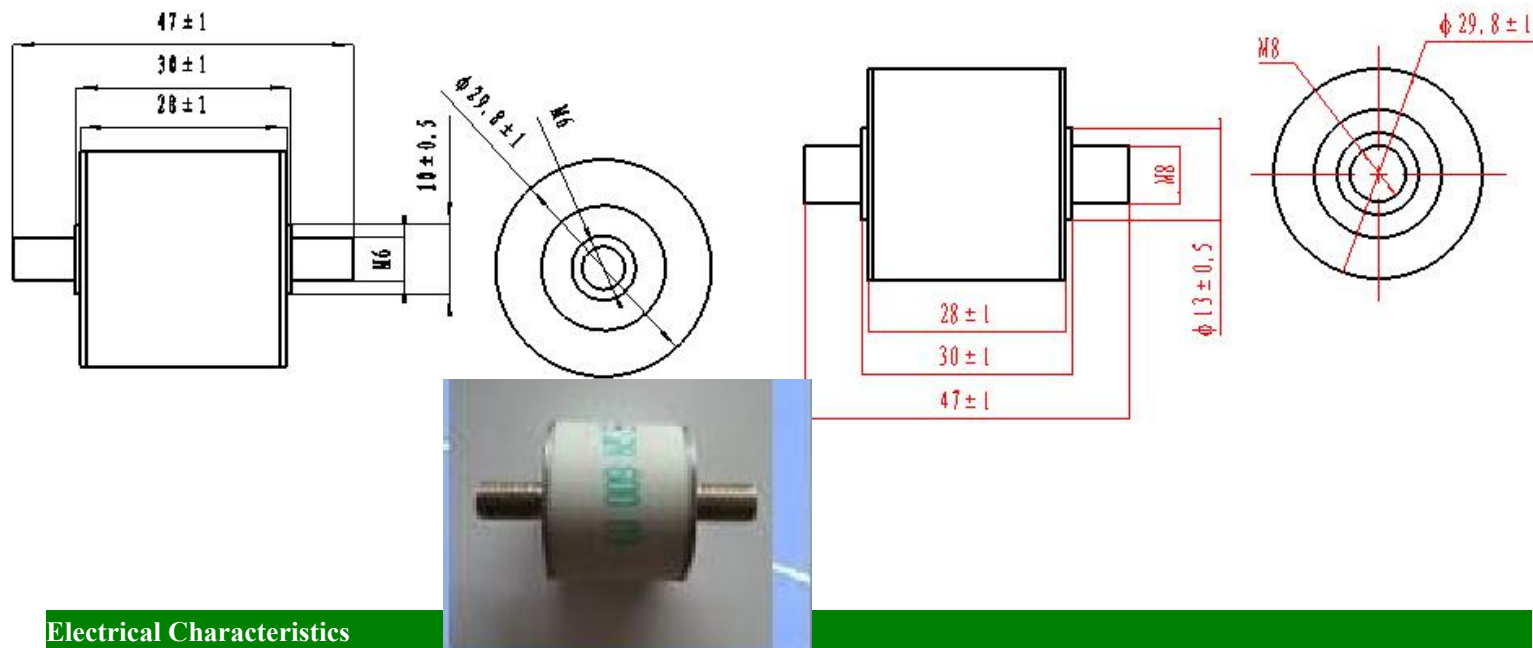


## High Impulse Current Gas Discharge Tubes

100KA



### 1: Dimension(mm)



### Electrical Characteristics

Part Number	DC Spark-over Voltage @ 100V/S	Impulse Spark-over Voltage @5KV/ $\mu$ s 1.2/50 $\mu$ s,6KV	Nominal Impulse discharge current(8/20 $\mu$ s)	Maximum discharge current(10/350 $\mu$ s)	Minimum Insulation Resistance@250v	TOV behaviour (1200V 1 operation 50Hz 200ms)	Follow current behaviour 50/60HZ 255V	Operation and storage temperature
	V	V	KA	KA	M $\Omega$	A	A	°C
<b>H2R30-350L</b>	350±20%	<1200	100	100	1000	300	100	-40...+90
<b>H2R30-500L</b>	500±20%	<1400	100	100	1000	300	100	-40...+90
<b>H2R30-600L</b>	600±20%	<1500	100	100	1000	300	100	-40...+90
<b>H2R30-800L</b>	>600	<1500	100	50	1000	300	100	-40...+90

H2R30-350L ,H2R30-500L and H2R30-600L= M6 Lead wire  
H2R30-800L = M8 Lead wire

Specifications are subject to change without notice

[sales@huaandz.com](mailto:sales@huaandz.com)