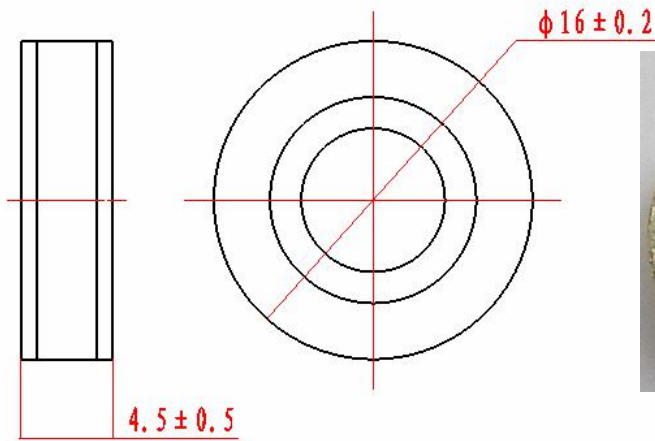


## High Impulse Current Gas Discharge Tubes

30KA



1: Dimension(mm)



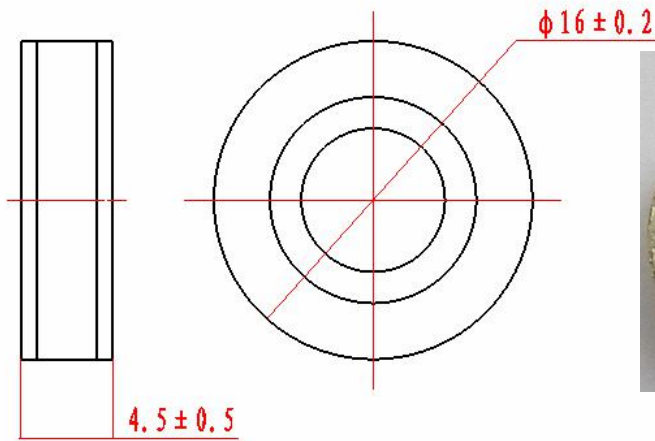
## Specification of H2R16-75H

Nominal Dc spark-over voltage (100V/s)	75V±20%	
impulse spark-over voltage 5KV/μs ( 1.2/50us, 6KV)	< 500V	
Nominal impulse discharge current 8/20μs	30KA	
Arc voltage @ 1A	~15V	
Maximum capacitance (1MHz)	<2pF	
Minimum insulation resistance@ 100V	10000MΩ	
Weight	~ 6g	
Operation and storage temperature	-40℃ ...+90℃	
Marking, Blue	2R 75 15	75 - Nominal voltage 15 - Year of production

## High Impulse Current Gas Discharge Tubes

30KA / 60KA

1: Dimension(mm)



## Specification of H2R16-600V

Nominal Dc spark-over voltage (100V/s)	600V±20%	
impulse spark-over voltage 5KV/μs ( 1.2/50us, 6KV)	<1500V	
Nominal impulse discharge current 8/20μs 20 times	30KA	
Maximum nominal impulse discharge current 8/20μs 2times	60KA	
TOV behaviour ( 1200V 1 operation 50HZ 200ms )	<300A	
Follow current behaviour 50/60HZ 255V	100A	
Maximum capacitance (1MHz)	<3pF	
Minimum insulation resistance@ 100V	10000MΩ	
Weight	~ 6g	
Operation and storage temperature	-40℃ ...+90℃	
Marking, Blue	2R 600 15	600 - Nominal voltage 15 - Year of production

Specifications are subject to change without notice

sales@huaandz.com