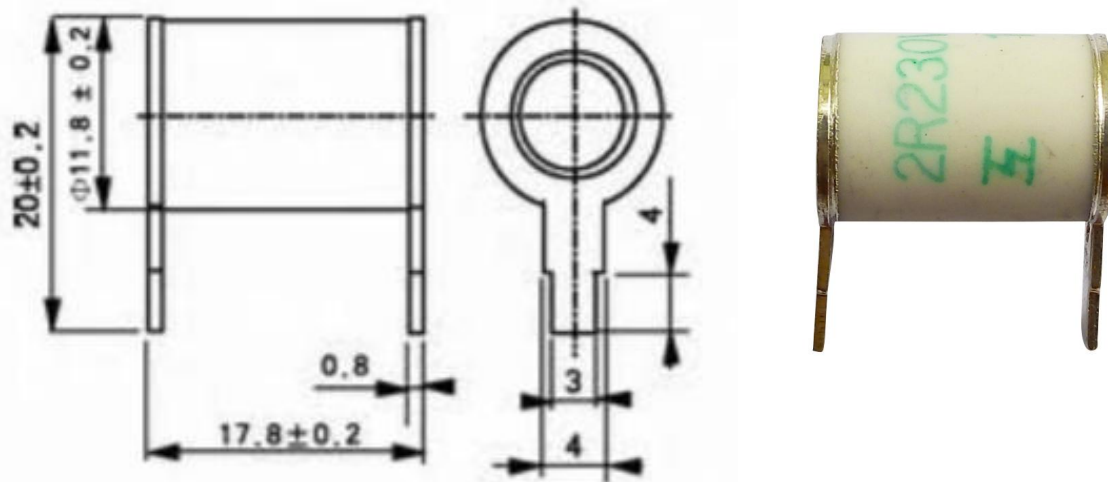


High Impulse Current Gas Discharge Tubes

40KA / 60KA



1: Dimension(mm)



Electrical Characteristics

Part Number	DC Spark-over Voltage @ 100V/S	Impulse Spark-over Voltage @1KV/μs	Nominal Impulse discharge current(8/20μs)	Maximum single Impulse discharge current(8/20μs)	Minimum Insulation Resistance @250v	Maximum Capacitance (1MHz)	Weight	Operation and storage temperature
	V	V	KA	KA	MΩ	PF	g	°C
H2R12-230VE	230±20%	600	40	60	10000	~3	~8	-40...+90
H2R12-350VE	350±20%	700	40	60	10000	~3	~8	-40...+90
H2R12-500VE	500±20%	800	40	60	10000	~3	~8	-40...+90
H2R12-600VE	600±20%	1000	40	60	10000	~3	~8	-40...+90
H2R12-800VE	800±20%	1200	40	60	10000	~3	~8	-40...+90

Specifications are subject to change without notice

sales@huaandz.com